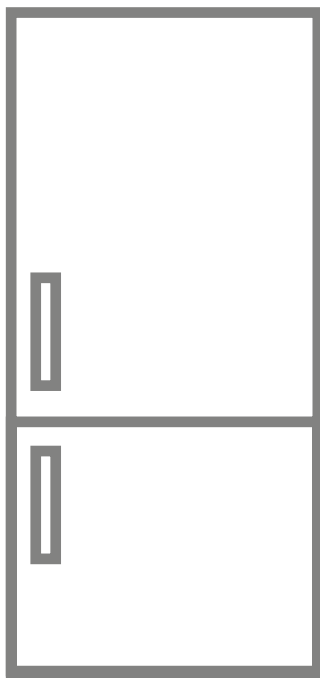


▶ RCK732E5MB

EN **User Manual**  
Freezer - Fridge

DE **Bedienungsanleitung**  
Kühl-Gefrierkombination

# USER MANUAL



**AEG**



EN

FIRE

**Warning;** Risk of fire / flammable materials

# INDEX

<b>BEFORE USING THE APPLIANCE .....</b>	<b>6</b>
General warnings .....	6
Old and out-of-order fridges or freezer .....	10
Safety warnings .....	10
Installing and operating your fridge freezer .....	11
Before Using your Fridge .....	12
Dimensions .....	13
<b>THE VARIOUS FUNCTION AND POSSIBILITIES .....</b>	<b>14</b>
Information about New Generation Cooling Technology .....	14
Display and Control Panel .....	15
Operating Your Fridge Freezer .....	15
Super Freeze Mode .....	15
Super Cool Mode .....	16
Economy Mode .....	16
Holiday Mode .....	17
Drink Cool Mode .....	17
Screen Saver Mode .....	18
The Child Lock Function .....	18
Door Open Alarm Function .....	18
Temperature Settings .....	19
Freezer Temperature Settings .....	19
Cooler Temperature Settings .....	19
Temperature Adjustment Warnings .....	20
Accessories .....	21
Ice Tray .....	21
The Freezer Box .....	21
Extra Chill Compartment .....	21
The Fresh Dial .....	22
CustomFlex .....	22
<b>ARRANGING FOOD IN THE APPLIANCE .....</b>	<b>23</b>
Refrigerator compartment .....	23
Freezer compartment .....	24
<b>CLEANING AND MAINTENANCE .....</b>	<b>27</b>
Defrosting .....	28

<b>TRANSPORTATION AND CHANGING OF INSTALLATION POSITION .....</b>	<b>28</b>
Repositioning the Door.....	28
<b>BEFORE CALLING YOUR AFTER SALES SERVICE .....</b>	<b>29</b>
Hints for Energy Saving.....	32
<b>THE PARTS OF THE APPLIANCE AND THE COMPARTMENTS ...</b>	<b>33</b>
<b>TECHNICAL DATA.....</b>	<b>34</b>
<b>INFORMATION FOR TEST INSTITUTES .....</b>	<b>34</b>

## FOR PERFECT RESULTS

Thank you for choosing this AEG product. We have created it to give you impeccable performance for many years, with innovative technologies that help make life simpler – features you might not find on ordinary appliances. Please spend a few minutes reading to get the very best from it.

Visit our website to:



Get usage advice, brochures, trouble shooter, service and repair information:

**[www.aeg.com/support](http://www.aeg.com/support)**



Register your product for better service:

**[www.registeraeg.com](http://www.registeraeg.com)**



Buy Accessories, Consumables and Original spare parts for your appliance:

**[www.aeg.com/shop](http://www.aeg.com/shop)**

## CUSTOMER CARE AND SERVICE

Always use original spare parts.

When contacting our Authorised Service Centre, ensure that you have the following data available: Model, PNC, Serial Number.

The information can be found on the rating plate.

 Warning / Caution-Safety information

 General information and tips

 Environmental information

Subject to change without notice.

## **PART - 1. BEFORE USING THE APPLIANCE**

### **General warnings**

Please read the instruction manual carefully before installing and using your appliance. We are not responsible for the damage occurred due to misuse.

Follow all instructions on your appliance and instruction manual, and keep this manual in a safe place to resolve the problems that may occur in the future.

This appliance is not intended to be used as a built-in appliance. In case of different installation from freestanding respecting space required in use dimensions, the appliance will function correctly but energy consumption might increase slightly.

**⚠ WARNING:** Keep ventilation openings, in the appliance enclosure or in the built-in structure, clear of obstruction.

**⚠ WARNING:** Do not use mechanical devices or other means to accelerate the defrosting process, other than those recommended by the manufacturer.


**⚠ WARNING:** Do not use electrical appliances inside the food storage compartments of the appliance, unless they are of the type recommended by the manufacturer.

**⚠ WARNING:** Do not damage the refrigerant circuit.

**⚠ WARNING:** When positioning the appliance, ensure the supply cord is not trapped or damaged.

**⚠ WARNING:** Do not locate multiple portable socket-outlets or portable power supplies at the rear of the appliance.

**⚠ WARNING:** In order to avoid any hazards resulting from the instability of the appliance, it must be fixed in accordance with the following instructions:

 If your appliance uses R600a as a refrigerant (this information will be provided on the label of the cooler) you should take care during transportation and installation to prevent the cooler elements from being damaged. R600a is an environmentally friendly and natural gas, but it is explosive. In the event of a leak due to damage of the cooler elements, move your fridge away from open flames or heat sources and ventilate the room where the appliance is located for a few minutes.

- Keep all packaging away from children and dispose of it appropriately.
- While carrying and positioning the fridge, do not damage the cooler gas circuit.
- Do not store explosive substances such as aerosol cans with a flammable propellant in this appliance.
- This appliance is intended to be used in household and domestic applications such as:
  - staff kitchen areas in shops, offices and other working environments.
  - farm houses and by clients in hotels, motels and other residential type environments.
  - bed and breakfast type environments;
  - catering and similar non-retail applications.
- If the socket does not match the refrigerator plug, it must be replaced by the manufacturer, a service agent or similarly qualified persons in order to avoid a hazard.
- A specially grounded plug has been connected to the power cable of your refrigerator. This plug should be used with a specially grounded socket of 16 amperes or 10 amperes according to country where the product will be sold. If there is no such socket in your house, please have it installed by an authorized electrician.

- This appliance can be used by children aged from 8 years and above and persons with reduced physical, sensory or mental capabilities or lack of experience and knowledge if they have been given supervision or instruction concerning use of the appliance in a safe way and understand the hazards involved. Children shall not play with the appliance. Cleaning and user maintenance shall not be made by children without supervision.
- Children aged from 3 to 8 years are allowed to load and unload refrigerating appliances. Children are not expected to perform cleaning or user maintenance of the appliance, very young children (0-3 years old) are not expected to use appliances, young children (3-8 years old) are not expected to use appliances safely unless continuous supervision is given, older children (8-14 years old) and vulnerable people can use appliances safely after they have been given appropriate supervision or instruction concerning use of the appliance. Very vulnerable people are not expected to use appliances safely unless continuous supervision is given.
- If the supply cord is damaged, it must be replaced by the manufacturer, an authorised service agent or similar qualified persons, in order to avoid a hazard.
- This appliance is not intended for use at altitudes exceeding 2000 m.

**To avoid contamination of food, please respect the following instructions:**

- Opening the door for long periods can cause a significant increase of the temperature in the compartments of the appliance.
- Clean regularly surfaces that can come in contact with food and accessible drainage systems



- Store raw meat and fish in suitable containers in the refrigerator, so that it is not in contact with or drip onto other food.
- Two-star frozen-food compartments are suitable for storing pre-frozen food, storing or making ice cream and making ice cubes.
- One-, two- and three-star compartments are not suitable for the freezing of fresh food.
- If the refrigerating appliance is left empty for long periods, switch off, defrost, clean, dry, and leave the door open to prevent mould developing within the appliance.

## **Service**

- To repair the appliance contact the Authorised Service Centre. Use original spare parts only.
- Please note that self-repair or nonprofessional repair can have safety consequences and might void the guarantee.
- The following spare parts will be available for 7 years after the model has been discontinued: thermostats, temperature sensors, printed circuit boards, light sources, door handles, door hinges, trays and baskets.
- Please note that some of these spare parts are only available to professional repairers, and that not all spare parts are relevant for all models.
- Door gaskets will be available for 10 years after the model has been discontinued.

## Old and out-of-order fridges or freezer

- If your old fridge or freezer has a lock, break or remove the lock before discarding it, because children may get trapped inside it and may cause an accident.
- Old fridges and freezers contain isolation material and refrigerant with CFC. Therefore, take care not to harm environment when you are discarding your old fridges.

### Disposal of your old appliance



The symbol on the product or on its packaging indicates that this product may not be treated as household waste. Instead it shall be handed over to the applicable collection point for the recycling of electrical and electronic equipment. By ensuring this product is disposed of correctly, you will help prevent potential negative consequences for the environment and human health, which could otherwise be caused by inappropriate waste handling of this product. For more detailed information about recycling of this product, please contact your local city office, your household waste disposal service or the shop where you purchased the product.

### Notes:

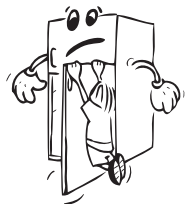
- This appliance is produced to be used in homes and it can only be used in domestic environments and for the specified purposes. It is not suitable for commercial or common use. Such use will cause the guarantee of the appliance to be cancelled and our company will not be responsible for the losses to be occurred.
- This appliance is produced to be used in houses and it is only suitable for cooling / storing foods. It is not suitable for commercial or common use and/or for storing substances except for food. Our company is not responsible for the losses to be occurred in the contrary case.

### Safety warnings

- Do not connect your fridge freezer to the mains electricity supply using an extension lead.
- Do not use damaged, torn or old plugs.
- Do not pull, bend or damage the cord.



- Do not use plug adapter.
- This appliance is designed for use by adults. Do not allow children to play with the appliance or hang off the door.
- Never touch the power cord/plug with wet hands. This may cause a short circuit or electric shock.
- Do not place glass bottles or cans in the ice-making compartment as they will burst when the contents freeze.
- Do not place explosive or flammable material in your fridge. Place drinks with high alcohol content vertically in the fridge compartment and make sure their tops are tightly closed.



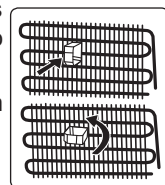
- When removing ice from the ice-making compartment, do not touch it. Ice may cause frost burns and/or cuts.
- Do not touch frozen goods with wet hands. Do not eat ice-cream or ice cubes immediately after they are removed from the ice-making compartment.
- Do not re-freeze thawed frozen food. This may cause health issues such as food poisoning.



## Installing and operating your fridge freezer

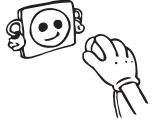
Before using your fridge freezer for the first time, please pay attention to the following points:

- The operating voltage for your fridge freezer is 220-240 V at 50Hz.
- The plug must be accessible after installation.
- Your fridge freezer may have an odour when it is operated for the first time. This is normal and the odour will fade when your fridge freezer starts to cool.
- Before connecting your fridge freezer, ensure that the information on the data plate (voltage and connected load) matches that of the mains electricity supply. If in doubt, consult a qualified electrician.
- Insert the plug into a socket with an efficient ground connection. If the socket has no ground contact or the plug does not match, we recommend you consult a qualified electrician for assistance.
- The appliance must be connected with a properly installed fused socket. The power supply (AC) and voltage at the operating point must match with the details on the name plate of the appliance (the name plate is located on the inside left of the appliance).
- We do not accept responsibility for any damages that occur due to ungrounded usage.
- Place your fridge freezer where it will not be exposed to direct sunlight.
- Your fridge freezer must never be used outdoors or exposed to rain.
- Your appliance must be at least 50 cm away from stoves, gas ovens and heater cores, and at least 5 cm away from electrical ovens.
- Do not cover the body or top of fridge freezer with lace. This will affect the performance of your fridge freezer.
- Clearance of at least 150 mm is required at the top of your appliance. Do not place anything on top of your appliance.
- Do not place heavy items on the appliance.
- Use the adjustable front legs to make sure your appliance is level and stable. You can adjust the legs by turning them in either direction. This must be done before placing food in the appliance.
- Clean the appliance thoroughly before use (see Cleaning and Maintenance).
- Before using your fridge freezer, wipe all parts with a solution of warm water and a teaspoon of sodium bicarbonate. Then, rinse with clean water and dry. Return all parts to the fridge freezer after cleaning.
- Install the two plastic distance guides (the parts on the black vanes -condenser- at the rear) by turning it 90° (as shown in the figure) to prevent the condenser from touching the wall.
- The distance between the appliance and back wall must be minimum 42mm and maximum 75mm.



## Before Using your Fridge

- When using your fridge for the first time, or after transportation, keep it in an upright position for at least 3 hours before plugging into the mains. This allows efficient operation and prevents damage to the compressor.
- Your fridge may have a smell when it is operated for the first time. This is normal and the smell will fade away when your fridge starts to cool.



### Internal lighting

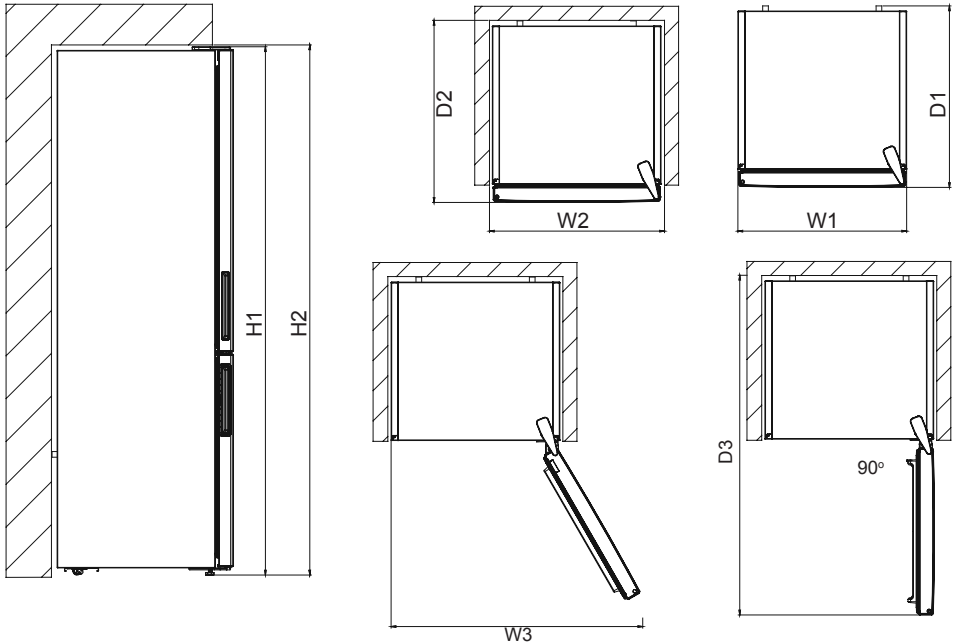


**WARNING!**

Risk of electric shock.

- Concerning the lamp(s) inside this product and spare part lamps sold separately: These lamps are intended to withstand extreme physical conditions in household appliances, such as temperature, vibration, humidity, or are intended to signal information about the operational status of the appliance. They are not intended to be used in other applications and are not suitable for household room illumination.

## Dimensions



Overall dimensions <sup>1</sup>		
H1	mm	1860
W1	mm	595
D1	mm	650

<sup>1</sup> the height, width and depth of the appliance without the handle

Space required in use <sup>2</sup>		
H2	mm	1900
W2	mm	600
D2	mm	718

<sup>2</sup> the height, width and depth of the appliance including the handle, plus the space necessary for free circulation of the cooling air

Overall space required in use <sup>3</sup>		
W3	mm	917
D3	mm	1158

<sup>3</sup> the height, width and depth of the appliance including the handle, plus the space necessary for free circulation of the cooling air, plus the space necessary to allow door opening to the minimum angle permitting removal of all internal equipment

## **PART - 2. THE VARIOUS FUNCTION AND POSSIBILITIES**

### **Information about New Generation Cooling Technology**

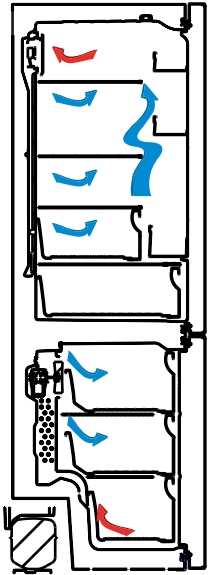
Fridges with new-generation cooling technology have a different operating system to static fridges. Other (static) fridges may experience a build up of ice in the freezer compartment due to door openings and humidity in the food. In such fridges, regular defrosting is required; the fridge must be switched off, the frozen food moved to a suitable container and the ice which has formed in the freezer compartment removed.

In fridges with new-generation cooling technology, a fan blows dry cold air evenly throughout the fridge and freezer compartments. The cold air cools your food evenly and uniformly, preventing humidity and ice build-up.

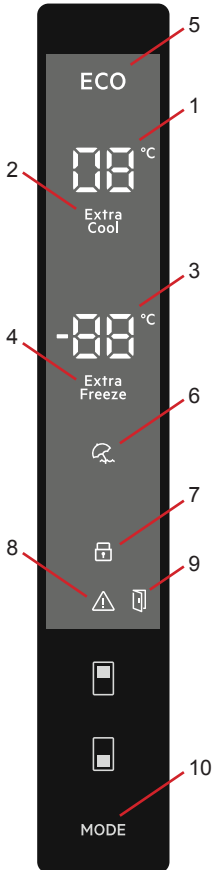
In the refrigerator compartment, air blown by the fan, located at the top of the refrigerator compartment, is cooled while passing through the gap behind the air duct. At the same time, the air is blown out through the holes in the air duct, evenly spreading cool air throughout the refrigerator compartment.

There is no air passage between the freezer and refrigerator compartments, therefore preventing the mixing of odours.

As a result, your fridge, with new-generation cooling technology, provides you with ease of use as well as a huge volume and aesthetic appearance.



## Display and Control Panel



### Using the Control Panel

1. It is cooler set value screen.
2. It is super cooling indicator.
3. It is freezer set value screen.
4. It is super freeze indicator.
5. It is economy mode symbol.
6. It is holiday mode symbol.
7. It is child-lock symbol.
8. It is alarm symbol.
9. Door open alarm symbol.
10. It enables the modes (economy, holiday...) to be activated if desired.

### Lighting (If available)

When the product is plugged in for the first time, the interior lights may turn on 1 minute late due to opening tests.

## Operating Your Fridge Freezer

### Super Freeze Mode

#### Purpose

- To freeze a large quantity of food that cannot fit on the fast freeze shelf.
- To freeze prepared foods.
- To freeze fresh food quickly to retain freshness.

#### How Would It Be Used?

Press freezer set button until Super freeze symbol will be seen on the screen. Buzzer will sound beep beep. Mode will be set.

#### During This Mode:

- Temperature of cooler and super cool mode may be adjusted. In this case super freeze mode continues.
- Economy and Holiday mode can not be selected.
- Super freeze mode can be cancelled by the same operation of selecting.



## Notes:

- The maximum amount of fresh food (in kilograms) that can be frozen within 24 hours is shown on the appliance label.
- For optimal appliance performance in maximum freezer capacity, activate Super Freeze mode 3 hours before you put fresh food into the freezer.
- At the end of this period, the fridge will sound an audible alarm notifying that it is ready.



Super freeze mode will automatically cancel after 24 hours or when the freezer sensor temperature drops below  $-32^{\circ}\text{C}$ .

## Super Cool Mode

### Purpose

- To cool and store a large quantity of food in the fridge compartment.
- To quickly cool drinks.

### How Would It Be Used?

Press cooler set button until super cool symbol will be seen on the screen. Buzzer will sound beep beep. Mode will be set.

### During This Mode:

- Temperature of freezer and super freeze mode may be adjusted. In this case super cool mode continues.
- Economy and holiday mode can not be selected.
- Super cool mode can be cancelled by the same operation of selecting.



## Economy Mode

### Purpose

Energy savings. During periods of less frequent use (door opening) or absence from home, such as a holiday, Eco program can provide optimum temperature whilst saving power.

### How Would It Be Used?

- Push "MODE" button until eco symbol appears.
- If no button is pressed for 1 second. Mode will be set. Eco symbol will blink 3 times. When mode is set, buzzer will sound beep beep.
- Freezer and refrigerator temperature segments will show "E".
- Economy symbol and E will light till mode finishes.

### During This Mode:

- Freezer may be adjusted. When economy mode will be cancelled, the selected setting values will proceed.
- Cooler may be adjusted. When economy mode will be cancelled, the selected setting values will proceed.
- Super cool and super freeze modes can be selected. Economy mode is automatically cancelled and the selected mode is activated.
- Holiday mode can be selected after cancelling the economy mode. Then the selected mode is activated.
- To cancel, you will just need to press on mode button.





## Holiday Mode

### How Would It Be Used?

- Push "MODE" button until holiday symbol appears
- If no button is pressed for 1 second. Mode will be set. Holiday symbol will blink 3 times. When mode is set, buzzer will sound beep beep.
- Cooler temperature segment will show "--".
- Holiday symbol and "--" will light till mode finishes.

### During This Mode:

- Freezer may be adjusted. When holiday mode will be cancelled, the selected setting values will proceed.
- Cooler may be adjusted. When holiday mode will be cancelled, the selected setting values will proceed.
- Super cool and super freeze modes can be selected. Holiday mode is automatically cancelled and the selected mode is activated.
- Economy mode can be selected after cancelling the holiday mode. Then the selected mode is activated.
- To cancel, you will just need to press on mode button.



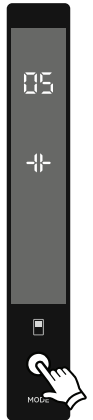
## Drink Cool Mode

### Purpose

This mode is used to cool drinks within an adjustable time frame.

### How Would It Be Used?

- Press freezer button for 3 seconds.
- Special animation will start on freezer set value screen and 05 will blink on cooler set value screen.
- Press cooler button to adjust the time (05 - 10 - 15 - 20 - 25 - 30 minutes).
- When you select the time the numbers will blink 3 times on screen and sound beep beep.
- If no button is pressed within 2 seconds the time will be set.
- The countdown starts from the adjusted time minute by minute.
- Remaining time will blink on the screen.
- To cancel this mode press freezer set button for 3 seconds.



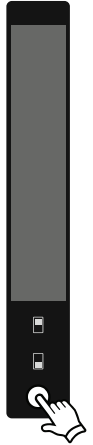
## Screen Saver Mode

### Purpose

This mode saves energy by switching off all control panel lighting when the panel is left inactive.

### How To Use?

- This mode will be activated when you press on "MODE" button for 3 seconds.
- If no button is pressed within 30 seconds when the mode is active, lights of the control panel will go off.
- If you press any button when lights of control panel are off, the current settings will appear on the screen, and then you can make the adjustment as you want. If you neither cancel screen saver mode nor press on any button in 30 seconds, the control panel will go off again.
- To cancel screen saver mode press on "MODE" button for 3 seconds again.
- When screen saver mode is active you can also activate child lock.
- If no button is pressed within 30 seconds after child lock is activated, the lights of the control panel will turn off. You can see the latest status of settings or modes after you press any button. While control panel's light is on, you can cancel child lock as described in the instruction of this mode.



## The Child Lock Function

### Purpose

Child lock can be activated to prevent any accidental or unintentional changes being made to the appliance settings.

### Activating Child Lock

Press on freezer and cooler buttons simultaneously for 5 seconds.

### Deactivating Child Lock

Press on freezer and cooler buttons simultaneously for 5 seconds.



Child lock will also be deactivated if electricity is interrupted or the fridge is unplugged.



## Door Open Alarm Function

If cooler door is opened more than 2 minutes, appliance sounds 'beep beep' and door open icon will be light.



## Temperature Settings

### Freezer Temperature Settings

- The initial temperature value for the freezer setting indicator is -18°C.
- Press the set freezer button once.
- When you first push this button, the last set value will blink on the screen.
- Whenever you press this button, temperature will decrease respectively.
- When you push the set freezer button until the super freeze symbol appears, and if you do not push any other button within 1 second, super freeze will flash.
- If you continue to press it, it will restart from -16°C.
- The temperature value selected before holiday mode, super freeze mode, super cool mode or economy mode is activated and will remain the same when the mode is over or cancelled. The appliance continues to operate with this temperature value.



### Cooler Temperature Settings

- Initial temperature value for the cooler setting indicator is +4 °C.
- Press the cooler button once.
- When you first push this button, the last value will appear on the cooler setting indicator.
- Whenever you press this button, temperature will decrease respectively.
- When you push the cooler set button until the super cool symbol appears, and if you do not push any button within 1 second, super cool will flash.
- If you continue to press the button, it will restart from +8 °C.
- The temperature value selected before holiday mode, super freeze mode, super cool mode or economy mode is activated and will remain the same when the mode is over or cancelled. The appliance continues to operate with this temperature value.



### Recommended Settings for the Freezer and Cooler Compartment Temperature

Freezer Compartment	Cooler Compartment	Remarks
-18 °C	4 °C	For regular use and best performance.
-20 °C, -22 °C or -24 °C	4 °C	Recommended when environmental temperature exceeds 30 °C.
Super Freeze mode	4 °C	Must be used when you wish to freeze food in a short period of time.
-18 °C, -20 °C, -22 °C or -24 °C	2 °C	These temperature settings must be used when the environmental temperature is high or if you think the refrigerator compartment is not cool enough because the door is being opened frequently.

## Temperature Adjustment Warnings

- It is not recommended that you operate your fridge in environments colder than 10°C in terms of its efficiency.
- Do not start another adjustment while you are already making an adjustment.
- Temperature adjustments should be made according to the frequency of door openings, the quantity of food kept inside the fridge and the ambient temperature in the location of your fridge.
- In order to allow your fridge to reach the operating temperature after being connected to mains, do not open the doors frequently or place large quantities of food in the fridge. Please note that, depending on the ambient temperature, it may take 24 hours for your fridge to reach the operating temperature.
- A 5 minute delay function is applied to prevent damage to the compressor of your fridge when connecting or disconnecting to mains, or when an energy breakdown occurs. Your fridge will begin to operate normally after 5 minutes.
- Your appliance is designed to operate in the ambient temperature (T/SN = 10°C - 43°C) intervals stated in the standards, according to the climate class displayed on the information label. We do not recommend operating your appliance out of the stated temperature limits in terms of cooling effectiveness.

Climate class	Meaning	Ambient Temperature
<b>T</b>	Tropical	This refrigerating appliance is intended to be used at ambient temperatures ranging from 16 °C to 43 °C.
<b>ST</b>	Subtropical	This refrigerating appliance is intended to be used at ambient temperatures ranging from 16 °C to 38 °C.
<b>N</b>	Temperate	This refrigerating appliance is intended to be used at ambient temperatures ranging from 16 °C to 32 °C.
<b>SN</b>	Extended temperate	This refrigerating appliance is intended to be used at ambient temperatures ranging from 10 °C to 32 °C.

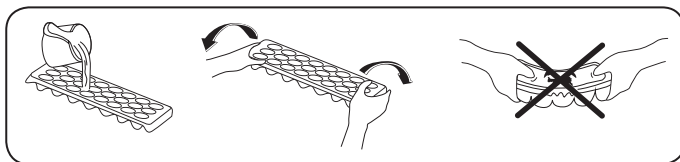
### Important installation instructions

This appliance is designed to work in difficult climate conditions (up to 43 degrees C or 110 degrees F) and is powered with 'Freezer Shield' technology which ensures that the frozen food in the freezer will not defrost even if the ambient temperature falls as low as -15 °C. So you may then install your appliance in an unheated room without having to worry about frozen food in the freezer being spoilt. When the ambient temperature returns to normal, you may continue using the appliance as usual.

## Accessories

### Ice Tray

- Fill the ice tray with water and place in the freezer compartment.
- After the water has completely frozen, you can twist the tray as shown below to remove the ice cubes.





### The Freezer Box

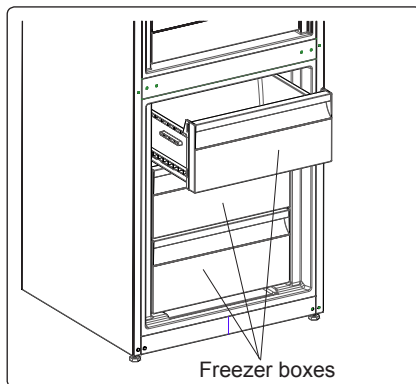
The freezer box allows food to be accessed more easily.

#### Removing the freezer box:

- Pull the box out as far as possible
- Pull the front of the box up and out

 Carry out the opposite of this operation when refitting the sliding compartment.

 Always keep hold of the handle of the box while removing it.

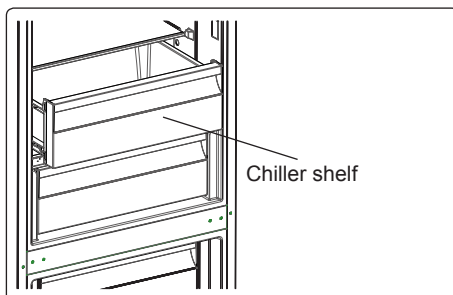


### Extra Chill Compartment (*In some models*)

Ideal to preserve the taste and texture of fresh cuts and cheese. The pull out drawer assures an environment with a lower temperature compared to the rest of the fridge, thanks to the active circulation of cold air.

#### To remove the Chiller Shelf:

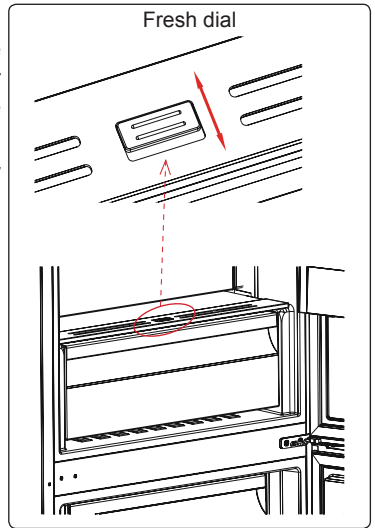
- Pull the chiller shelf towards you by sliding it on the rails.
- Pull the chiller shelf up from the rail and remove it from the fridge.



### **The Fresh Dial *(In some models)***

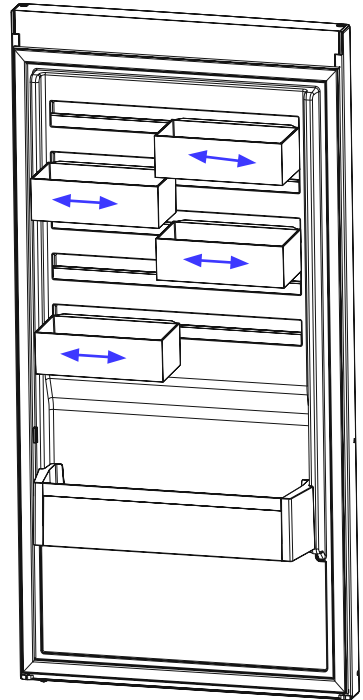
If the crisper is full, the fresh dial located in front of the crisper should be opened. This allows the air in the crisper and the humidity rate to be controlled, to increase the life of food within.

The dial, located behind the shelf, must be opened if any condensation is seen on the glass shelf.



### **CustomFlex *(In some models)***


CustomFlex® offers you the freedom to customize the space in your refrigerator. Inside of the door there are a storage container and mobile containers, so you can tailor the space to your needs. The containers are even removable, so you can remove them from the refrigerator for easy access.





***Visual and text descriptions in the accessories section may vary according to the model of your appliance.***

## **PART - 3. ARRANGING FOOD IN THE APPLIANCE**

### **Refrigerator compartment**

- Fresh food compartment is the one marked (on the rating plate) with .
- To reduce humidity and avoid the consequent formation of frost, always store liquids in sealed containers in the refrigerator. Frost tends to concentrate in the coldest parts of the evaporating liquid and, in time, your appliance will require more frequent defrosting.
- Never place warm food in the refrigerator. Warm food should be allowed to cool at room temperature and should be arranged to ensure adequate air circulation in the refrigerator compartment.
- Make sure no items are in direct contact with the rear wall of the appliance as frost will develop and packaging will stick to it. Do not open the refrigerator door frequently.
- We recommend that meat and clean fish are loosely wrapped and stored on the glass shelf just above the vegetable bin where the air is cooler, as this provides the best storage conditions.
- Store loose fruit and vegetable items in the crisper containers.
- Store loose fruit and vegetables in the crisper.
- Storing fruit and vegetables separately helps prevent ethylene-sensitive vegetables (green leaves, broccoli, carrot, etc.) being affected by ethylene-releaser fruits (banana, peach, apricot, fig etc.).
- Do not put wet vegetables into the refrigerator.
- Storage time for all food products depends on the initial quality of the food and an uninterrupted refrigeration cycle before refrigerator storage.
- To avoid cross-contamination do not store meat products with fruit and vegetables. Water leaking from meat may contaminate other products in the refrigerator. You should package meat products and clean any leakages on the shelves.
- Do not put food in front of the air flow passage.
- Consume packaged foods before the recommended expiry date.

 **NOTE:** Most efficient use of energy is ensured in the configuration with the drawers in the bottom part of the appliance, and shelves evenly distributed, position of door bins does not affect energy consumption.

 **NOTE:** Potatoes, onions and garlic should not be stored in the refrigerator. The table below is a quick guide to show you the most efficient way to store the major food groups in your refrigerator compartment.

<b>Food</b>	<b>Maximum storage time</b>	<b>How and where to store</b>
<b>Vegetables and fruits</b>	1 week	Vegetable bin
<b>Meat and fish</b>	2 - 3 Days	Wrap in plastic foil, bags, or in a meat container and store on the glass shelf
<b>Fresh cheese</b>	3 - 4 Days	On the designated door shelf
<b>Butter and margarine</b>	1 week	On the designated door shelf

Food	Maximum storage time	How and where to store
Bottled products e.g. milk and yoghurt	Until the expiry date recommended by the producer	On the designated door shelf
Eggs	1 month	On the designated egg shelf
Cooked food	2 Days	All shelves

## Freezer compartment

- Freezer compartment is the one marked with ❄️❄️❄️.
- The freezer is used for storing frozen food, freezing fresh food, and making ice cubes.
- To use the maximum capacity of the freezer compartment, use the glass shelves for the upper and middle section, and use the lower basket for the bottom section.
- Use the fast freezing shelf to freeze home cooking (and any other food which needs to be frozen quickly) more quickly because of the freezing shelf's greater freezing power. Fast freezing shelf is the bottom drawer of the freezer compartment.
- For freezing fresh food; wrap and seal fresh food properly, that is the packaging should be air tight and shouldn't leak. Special freezer bags, aluminum foil polythene bags and plastic containers are ideal.
- Do not store fresh food next to frozen food as it can thaw the frozen food.
- Before freezing fresh food, divide it into portions that can be consumed in one sitting.
- Consume thawed frozen food within a short period of time after defrosting
- Never place warm food in the freezer compartment as it will thaw the frozen food.
- Always follow the manufacturer's instructions on food packaging when storing frozen food. If no information is provided food, should not be stored for more than 3 months from the date of purchase.
- When purchasing frozen food, make sure that it has been stored under appropriate conditions and that the packaging is not damaged.
- Frozen food should be transported in appropriate containers and placed in the freezer as soon as possible.
- Do not purchase frozen food if the packaging shows signs of humidity and abnormal swelling. It is probable that it has been stored at an unsuitable temperature and that the contents have deteriorated.
- The storage life of frozen food depends on the room temperature, the thermostat setting, how often the door is opened, the type of food, and the length of time required to transport the product from the shop to your home. Always follow the instructions printed on the packaging and never exceed the maximum storage life indicated.
- The maximum amount of fresh food (in kg) that can be frozen in 24 hours is indicated on the appliance label.

**NOTE:** If you attempt to open the freezer door immediately after closing it, you will find that it will not open easily. This is normal. Once equilibrium has been reached, the door will open easily.

### Important note:

- Never refreeze thawed frozen food.



- The taste of some spices found in cooked dishes (anise, basilica, watercress, vinegar, assorted spices, ginger, garlic, onion, mustard, thyme, marjoram, black pepper, etc.) changes and they assume a strong taste when they are stored for a long period of time. Therefore, add small amounts of spices to food to be frozen, or the desired spice should be added after the food has thawed.
- The storage time of food is dependent on the type of oil used. Suitable oils are margarine, calf fat, olive oil and butter. Unsuitable oils are peanut oil and pig fat.
- Food in liquid form should be frozen in plastic cups and other food should be frozen in plastic folios or bags.



The table below is a quick guide to show you the most efficient way to store the major food groups in your freezer compartment.

Meat and fish	Preparation	Maximum storage time (months)
Steak	Wrap in foil	6 - 8
Lamb meat	Wrap in foil	6 - 8
Veal roast	Wrap in foil	6 - 8
Veal cubes	In small pieces	6 - 8
Lamb cubes	In pieces	4 - 8
Minced meat	In packaging without using spices	1 - 3
Giblets (pieces)	In pieces	1 - 3
Bologna sausage/ salami	Should be kept packaged even if it has a membrane	
Chicken and turkey	Wrap in foil	4 - 6
Goose and duck	Wrap in foil	4 - 6
Deer, rabbit, wild boar	In 2.5 kg portions or as fillets	6 - 8
Freshwater fish (Salmon, Carp, Crane, Catfish)	After cleaning the bowels and scales of the fish, wash and dry it. If necessary, remove the tail and head.	2
Lean fish (Bass, Turbot, Flounder)		4
Fatty fishes (Tuna, Mackerel, Bluefish, Anchovy)		2 - 4
Shellfish	Clean and in a bag	4 - 6
Caviar	In its packaging, or in an aluminium or plastic container	2 - 3
Snails	In salty water, or in an aluminium or plastic container	3



**NOTE:** Thawed frozen meat should be cooked as fresh meat. If the meat is not cooked after defrosting, it must not be re-frozen.

Vegetables and Fruits	Preparation	Maximum storage time (months)
<b>String beans and beans</b>	Wash, cut into small pieces and boil in water	10 - 13
<b>Beans</b>	Hull, wash and boil in water	12
<b>Cabbage</b>	Clean and boil in water	6 - 8
<b>Carrot</b>	Clean, cut into slices and boil in water	12
<b>Pepper</b>	Cut the stem, cut into two pieces, remove the core and boil in water	8 - 10
<b>Spinach</b>	Wash and boil in water	6 - 9
<b>Cauliflower</b>	Remove the leaves, cut the heart into pieces and leave it in water with a little lemon juice for a while	10 - 12
<b>Eggplant</b>	Cut into pieces of 2cm after washing	10 - 12
<b>Corn</b>	Clean and pack with its stem or as sweet corn	12
<b>Apple and pear</b>	Peel and slice	8 - 10
<b>Apricot and Peach</b>	Cut into two pieces and remove the stone	4 - 6
<b>Strawberry and Blackberry</b>	Wash and hull	8 - 12
<b>Cooked fruits</b>	Add 10 % of sugar to the container	12
<b>Plum, cherry, sourberry</b>	Wash and hull the stems	8 - 12

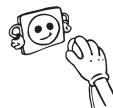
	Maximum storage time (months)	Thawing time at room temperature (hours)	Thawing time in oven (minutes)
<b>Bread</b>	4 - 6	2 - 3	4-5 (220-225 °C)
<b>Biscuits</b>	3 - 6	1 - 1,5	5-8 (190-200 °C)
<b>Pastry</b>	1 - 3	2 - 3	5-10 (200-225 °C)
<b>Pie</b>	1 - 1,5	3 - 4	5-8 (190-200 °C)
<b>Phyllo dough</b>	2 - 3	1 - 1,5	5-8 (190-200 °C)
<b>Pizza</b>	2 - 3	2 - 4	15-20 (200 °C)

Dairy products	Preparation	Maximum storage time (months)	Storage conditions
<b>Packet (Homogenized) Milk</b>	In its own packet	2 - 3	Pure Milk – in its own packet
<b>Cheese - excluding white cheese</b>	In slices	6 - 8	Original packaging may be used for short-term storage. Keep wrapped in foil for longer periods.
<b>Butter, margarine</b>	In its packaging	6	

## PART - 4. CLEANING AND MAINTENANCE



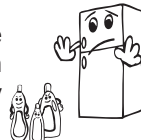
Disconnect the unit from the power supply before cleaning.



Do not wash your appliance by pouring water on it.



Do not use abrasive products, detergents or soaps for cleaning the appliance. After washing, rinse with clean water and dry carefully. When you have finished cleaning, reconnect the plug to the mains supply with dry hands.



- Make sure that no water enters the lamp housing and other electrical components.

- The appliance should be cleaned regularly using a solution of bicarbonate of soda and lukewarm water.



- Clean the accessories separately by hand with soap and water. Do not wash accessories in a dish washer.



- Clean the condenser with a brush at least twice a year. This will help you to save on energy costs and increase productivity.

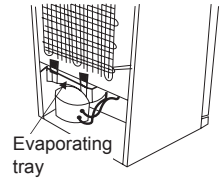


The power supply must be disconnected during cleaning.

## Defrosting

Your refrigerator performs automatic defrosting. The water formed as a result of defrosting passes through the water collection spout, flows into the vaporisation container behind your refrigerator and evaporates there.

- Make sure you have disconnected the plug of your refrigerator before cleaning the vaporisation container.
- Remove the vaporisation container from its position by removing the screws as indicated. Clean it with soapy water at specific time intervals. This will prevent odours from forming.



## Replacing LED Lighting

To replace any of the LEDs, please contact the nearest Authorised Service Centre.

**Note:** The numbers and location of the LED strips may change according to the model.

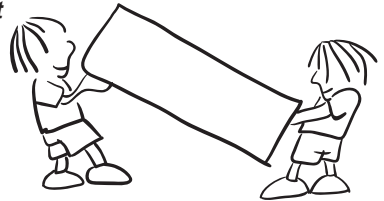
## **PART - 5.** TRANSPORTATION AND CHANGING OF INSTALLATION POSITION

### Transportation and Changing Positioning

- The original packaging and foam may be kept for re-transportation (optional).
- Fasten your appliance with thick packaging, bands or strong cords and follow the instructions for transportation on the packaging.
- Remove all movable parts (shelves, accessories, vegetable bins, and so on) or fix them into the appliance against shocks using bands when re-positioning or transporting.



***Always carry your appliance in the upright position.***



### Repositioning the Door

- It is not possible to change the opening direction of your appliance door if door handles are installed on the front surface of the appliance door.
- It is possible to change the opening direction of the door on models without handles and models with handles mounted on the sides.
- If the door-opening direction of your appliance can be changed, contact the nearest Authorised Service Centre to change the opening direction.

## PART - 6. BEFORE CALLING YOUR AFTER SALES SERVICE

### Errors

Your fridge will warn you if the temperatures for the cooler and freezer are at improper levels or if a problem occurs with the appliance. Warning codes are displayed in the freezer and cooler indicators.

ERROR TYPE	MEANING	WHY	WHAT TO DO
E01	Sensor warning		Call Service for assistance as soon as possible.
E02			
E03			
E06			
E07			
E08	Low Voltage Warning	Power supply to the device has dropped to below 170 V.	<ul style="list-style-type: none"> <li>- This is not a device failure, this error helps to prevent damages to the compressor.</li> <li>- The voltage needs to be increased back to required levels</li> </ul> <p>If this warning continues an authorised technician needs to be contacted.</p>
E09	Freezer compartment is not cold enough	Likely to occur after long term power failure.	<ol style="list-style-type: none"> <li>1. Set the freezer temperature to a colder value or set Super Freeze. This should remove the error code once the required temperature has been reached. Keep doors closed to improve time taken to reach the correct temperature.</li> <li>2. Remove any products which have thawed/ defrosted during this error. They can be used within a short period of time.</li> <li>3. Do not add any fresh produce to the freezer compartment until the correct temperature has been reached and the error is no longer.</li> </ol> <p>If this warning continues an authorised technician needs to be contacted.</p>

ERROR TYPE	MEANING	WHY	WHAT TO DO
E10	Fridge compartment is not cold enough	<p><b>Likely to occur after:</b></p> <ul style="list-style-type: none"> <li>- Long term power failure.</li> <li>- Hot food has been left in the fridge.</li> </ul>	<ol style="list-style-type: none"> <li>1. Set the fridge temperature to a colder value or set Super Cool. This should remove the error code once the required temperature has been reached. Keep doors closed to improve time taken to reach the correct temperature.</li> <li>2. Please empty the location at the front area of air duct channel holes and avoid putting food close to the sensor.</li> </ol> <p>If this warning continues an authorised technician needs to be contacted.</p>
E11	Fridge compartment is too cold	Various	<ol style="list-style-type: none"> <li>1. Check is Super Cool mode is activated</li> <li>2. Reduce the fridge compartment temperature</li> <li>3. Check to see if vents are clear and not clogged</li> </ol> <p>If this warning continues an authorised technician needs to be contacted.</p>

If you are experiencing a problem with your refrigerator, please check the following before contacting the after-sales service.

**Your refrigerator does not operate**

**Check if:**

- Your fridge is plugged in and switched on
- The fuse has blown
- Is the temperature adjustment right?
- The socket is faulty. To check this, plug another working appliance into the same socket.

**Your refrigerator is performing poorly**

**Check if:**

- Is the temperature adjustment right?
- Is the door of your fridge opened frequently and left open for a long while?
- The appliance is overloaded
- The doors are closed properly
- Did you put a dish or food on your fridge so that it contacts the rear wall of your fridge so as to prevent the air circulation?
- Is your fridge filled excessively?

- There is an adequate distance between the appliance and surrounding walls
- Is the ambient temperature within the range of values specified in the operating manual?

### **Your refrigerator is operating noisily**

The following noises can be heard during normal operation of the appliance.

#### **Cracking (ice cracking) noise occurs:**

- During automatic defrosting.
- When the appliance is cooled or warmed (due to expansion of appliance material).

**Clicking noise occurs:** When the thermostat switches the compressor on/off.

**Motor noise:** Indicates the compressor is operating normally. The compressor may cause more noise for a short time when it is first activated.

**Bubbling noise and splashing occurs:** Due to the flow of the refrigerant in the tubes of the system.

**Water flowing noise occurs:** Due to water flowing to the evaporation container. This noise is normal during defrosting.

**Air blowing noise occurs:** During normal operation of the system due to the circulation of air.

### **There is a build-up of humidity inside the fridge**

#### **Check if:**

- All food is packed properly. Containers must be dry before being placed in the fridge.
- The fridge doors are opened frequently. Humidity of the room will enter the fridge each time the doors are opened. Humidity increases faster if the doors are opened frequently, especially if the humidity of the room is high.
- There is a build-up of water droplets on the rear wall. This is normal after automatic defrosting (in Static Models).

### **The doors are not opening or closing properly**

#### **Check if:**

- There is food or packaging preventing the door from closing
- The door compartments, shelves and drawers are placed properly
- The door gaskets are broken or torn
- Your fridge is level.

### **The edges of the fridge in contact with the door joint are warm**

Especially during summer (warm weather), the surfaces in contact with the door joint may become warmer during operation of the compressor. This is normal.

#### **Important Notes:**

- In the case of a power failure, or if the appliance is unplugged and plugged in again, the gas in the cooling system of your refrigerator will destabilise, causing the compressor protective thermal element to open. Your refrigerator will start to operate normally after 5 minutes.
- If the appliance will not be used for a long period of time (such as during holidays), disconnect the plug. Defrost and clean the refrigerator, leaving the door open to prevent the formation of mildew and odour.

- If the problem persists after you have followed all the instructions above, please consult the nearest Authorised Service Centre.
- This appliance is designed for domestic use and for the stated purposes only. It is not suitable for commercial or common use. If the consumer uses the appliance in a way that does not comply with these instructions, we emphasise that the manufacturer and the dealer will not be responsible for any repair or failure within the guarantee period.

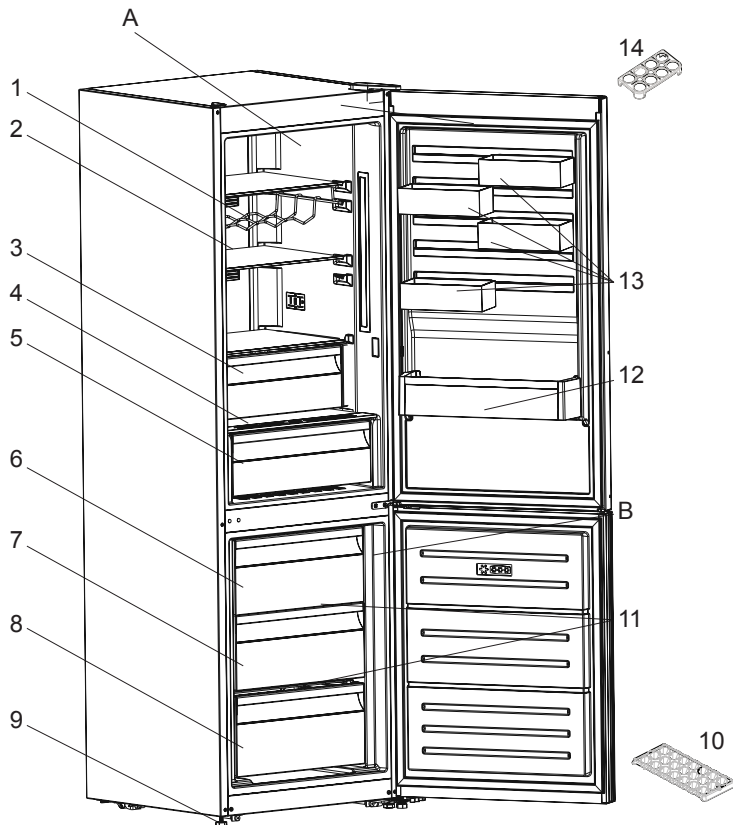
## **Hints for Energy Saving**

1. Install the appliance in a cool, well-ventilated room, but not in direct sunlight and not near a heat source (such as a radiator or oven) otherwise an insulating plate should be used.
2. Allow warm food and drinks to cool before placing them inside the appliance.
3. Place thawing food in the refrigerator compartment. The low temperature of the frozen food will help cool the refrigerator compartment while the food is thawing. This will save energy. Frozen food left to thaw outside of the appliance will result in a waste of energy.
4. Drinks or other liquids should be covered when inside the appliance. If left uncovered, the humidity inside the appliance will increase, therefore the appliance uses more energy. Keeping drinks and other liquids covered helps preserve their smell and taste.
5. Avoid keeping the doors open for long periods and opening the doors too frequently as warm air will enter the appliance and cause the compressor to switch on unnecessarily often.
6. Keep the covers of the different temperature compartments (such as the crisper and chiller) closed.
7. The door gasket must be clean and pliable. In case of wear, if your gasket is detachable, replace the gasket. If not detachable, you have to replace the door.
8. Eco mode / default setting function preserves fresh and frozen foods while saving energy.
9. Fresh Food Compartment (Fridge): Most efficient use of energy is ensured in the configuration with the drawers in the bottom part of the appliance, and shelves evenly distributed, position of door bins does not affect energy consumption.
10. Frozen Compartment (Freezer): The internal configuration of the appliance is the one that ensures the most efficient use of energy.
11. Do not remove the cold accumulators from the freezer basket (if present.).



## PART - 7.

# THE PARTS OF THE APPLIANCE AND THE COMPARTMENTS



This presentation is only for information about the parts of the appliance. Parts may vary according to the appliance model.

A) Refrigerator compartment

B) Freezer compartment

1) Wine rack \*

2) Refrigerator shelves

3) Chiller \*

4) Crisper cover

5) Crisper

6) Freezer upper basket

7) Freezer middle basket

8) Freezer bottom basket

9) Levelling feet

10) Ice box tray

11) Freezer glass shelves \*

12) Bottle shelf

13) CustomFlex

14) Egg holder

\* In some models

## **PART - 8. TECHNICAL DATA**

The technical information is situated in the rating plate on the internal side of the appliance and on the energy label.

The QR code on the energy label supplied with the appliance provides a web link to the information related to the performance of the appliance in the EU EPREL database.

Keep the energy label for reference together with the user manual and all other documents provided with this appliance.

It is also possible to find the same information in EPREL using the link <https://eprel.ec.europa.eu> and the model name and product number that you find on the rating plate of the appliance.

See the link [www.theenergylabel.eu](http://www.theenergylabel.eu) for detailed information about the energy label.

## **PART - 9. INFORMATION FOR TEST INSTITUTES**

Installation and preparation of the appliance for any EcoDesign verification shall be compliant with EN 62552. Ventilation requirements, recess dimensions and minimum rear clearances shall be as stated in this User Manual at PART 1. Please contact the manufacturer for any other further information, including loading plans.



DE

**BRANDGEFAHR**

**Warnung; Brandgefahr / entflammbare Materialien**

# INHALT

<b>VOR DER VERWENDUNG .....</b>	<b>39</b>
Allgemeine Sicherheitshinweise .....	39
Sicherheits-Warnhinweise .....	43
Hinweise zum Aufstellen und Anschließen .....	44
Vor der Inbetriebnahme Ihres Kühlschranks .....	45
Abmessungen .....	46
<b>VERWENDEN DES GERÄTS .....</b>	<b>47</b>
Informationen zur Kühltechnologie der neuen Generation .....	47
Display und Bedienfeld .....	48
Bedienen der Kühl-Gefrierkombination .....	48
Modus „Super-Gefrieren“ .....	48
Modus „Super-Kühlen“ .....	49
Energiesparmodus .....	49
Urlaubsmodus .....	50
Getränkekühlung-Modus .....	50
Bildschirmschoner-Modus .....	51
Die Kindersicherung .....	51
Temperatureinstellungen .....	52
Gefriertemperatureinstellungen .....	52
Kühltemperatureinstellungen .....	52
Warnhinweise zur Temperatureinstellung .....	53
Zubehör .....	54
Eiswürfelschale .....	54
Gefrierbox .....	54
Extra-Kühlfach .....	54
Frischeregler .....	55
CustomFlex .....	55
<b>LEBENSMITTELLAGERUNG .....</b>	<b>56</b>
Kühlteil .....	56
Gefrierteil .....	57
<b>REINIGUNG UND WARTUNG .....</b>	<b>61</b>
Abtauen .....	61
<b>TRANSPORTIEREN UND UMSTELLEN .....</b>	<b>62</b>
Wechseln des Türanschlags .....	62

<b>VOR DEM ANRUF BEIM KUNDENDIENST .....</b>	<b>62</b>
Tipps zum Energiesparen.....	66
<b>GERÄTEBESCHREIBUNG .....</b>	<b>67</b>
<b>TECHNISCHE DATEN .....</b>	<b>68</b>
<b>INFORMATIONEN FÜR PRÜFINSTITUTE .....</b>	<b>68</b>

## FÜR PERFEKTE ERGEBNISSE

Vielen Dank, dass Sie sich für dieses AEG-Produkt entschieden haben. Wir haben es so gefertigt, dass es Ihnen über viele Jahre hinweg tadellose Leistung bieten wird, mit innovativen Technologien, die das Leben einfacher machen - Mit Funktionen, die Sie bei gewöhnlichen Geräten vielleicht nicht finden werden. Bitte nehmen Sie sich ein paar Minuten Zeit zum Lesen, um das Beste aus Ihrem Gerät herauszuholen.

Besuchen Sie unsere Website, um



Nutzungshinweise, Broschüren, Problemlösungen sowie Service- und Reparaturinformationen zu erhalten:

**[www.aeg.com/support](http://www.aeg.com/support)**



Registrieren Sie Ihr Gerät, um den bestmöglichen Service zu erhalten:

**[www.registeraeg.com](http://www.registeraeg.com)**



Um Zubehör, Verbrauchsmaterialien und Originalersatzteile für Ihr Gerät zu kaufen:

**[www.aeg.com/shop](http://www.aeg.com/shop)**

## KUNDENBETREUUNG UND -SERVICE

Verwenden Sie immer Original-Ersatzteile.

Wenn Sie sich an unser Service-Center wenden, halten Sie bitte folgende Angaben bereit: Modell, PNC, Seriennummer.

Diese Angaben finden Sie auf dem Typenschild.

 Warnung / Vorsicht - Sicherheitshinweise

 Allgemeine Informationen und Tipps

 Umweltschutz-Informationen

Änderungen ohne vorherige Ankündigung vorbehalten.

## **TEIL - 1. VOR DER VERWENDUNG**

### **Allgemeine Sicherheitshinweise**

**Bitte lesen Sie diese Gebrauchsanweisung sorgfältig durch.**

Lesen Sie die Gebrauchsanleitung sorgfältig durch, bevor Sie das Gerät aufstellen und verwenden. Es wird keine Haftung für Schäden infolge von falscher Handhabung übernommen.

Befolgen Sie die Anweisungen in der Gebrauchsanleitung des Geräts und bewahren Sie die Anleitung an einem sicheren Ort auf, damit Sie bei evtl. auftretenden Problemen jederzeit Zugriff darauf haben.

Dieses Gerät ist nicht für die Verwendung als Einbaugerät vorgesehen.

Im Falle einer anderen als der freistehenden Installation und unter Einhaltung des Platzbedarfs funktioniert das Gerät korrekt, aber der Energieverbrauch kann leicht ansteigen.

**! WARNUNG:** Die Belüftungsöffnungen am Gerätegehäuse bzw. am Einbaugehäuse stets freihalten.

**! WARNUNG:** Den Abtauvorgang nicht mit mechanischen oder anderen Mitteln beschleunigen, die nicht vom Hersteller empfohlen wurden.

**! WARNUNG:** Keine elektrischen Geräte in den Lebensmittelfächern des Geräts verwenden, die nicht den Empfehlungen des Herstellers entsprechen.

**! WARNUNG:** Den Kühlmittelkreislauf nicht beschädigen.

**! WARNUNG:** Vergewissern Sie sich beim Aufstellen des Gerätes, dass das Netzkabel nicht eingeklemmt oder beschädigt wird.

**! WARNUNG:** Schließen Sie nicht mehrere tragbare Steckdosen oder Stromversorgungen hinten am Gerät an.

**⚠️ WARNUNG:** Um Gefahren durch mögliche Instabilität des Geräts zu vermeiden, ist es entsprechend Anweisungen zu fixieren.

**⚠️** Bei Geräten mit dem Kühlmittel R600a (siehe Typenschild des Kühlgeräts) ist beim Transport und beim Aufstellen darauf zu achten, dass die Kühlelemente nicht beschädigt werden. R600a ist ein umweltfreundliches, natürliches, jedoch explosives Gas. Wenn die Kühlelemente aufgrund von Beschädigungen undicht werden, das Gerät von offenem Feuer und Wärmequellen fernhalten und den Aufstellraum mehrere Minuten gut lüften.

- Halten Sie alle Verpackungsmaterialien von Kindern fern und entsorgen Sie sie ordnungsgemäß.
- Beim Tragen und Aufstellen des Geräts den Kühlmittelkreislauf nicht beschädigen.
- Keine explosiven Gegenstände wie Spraydosen mit Treibgas im Gerät lagern.
- Das Gerät ist auf die Nutzung im Haushalt und in ähnlichen Umgebungen ausgelegt, z. B.:
  - Im Bereich von Personalküchen in Läden, Büros und anderen Arbeitsumgebungen.
  - In landwirtschaftlichen Betrieben, für Gäste in Hotels, Motels und anderen Wohnumgebungen.
  - In Pensionen und vergleichbaren Umgebungen.
  - Im Catering und ähnlichen Anwendungen außerhalb des Bereichs Handel.
- Wenn der Kühlschrankstecker nicht für die Steckdose geeignet ist, muss er vom Hersteller, von einem Servicebeauftragten oder einer vergleichbar qualifizierten Person ausgetauscht werden, um Gefährdungen zu vermeiden.
- Am Netzkabel Ihres Kühlschranks ist ein speziell geerdeter Stecker angebracht. Dieser Stecker sollte mit einer speziell



geerdeten Steckdose von 16 Ampere oder 10 Ampere entsprechend dem Verkaufsland des Produktes verwendet werden. Falls sich keine derartige Steckdose in Ihrem Haushalt befindet, wenden Sie sich zum Nachrüsten bitte an einen autorisierten Elektriker.

- Das Gerät kann von Kindern ab 8 Jahren und von Menschen mit körperlichen, sensorischen oder mentalen Einschränkungen oder ohne Erfahrung und besondere Kenntnisse verwendet werden, sofern sie unter Aufsicht sind oder in die sichere Nutzung des Geräts eingewiesen wurden und die damit verbundenen Gefahren kennen. Das Gerät darf nicht als Kinderspielgerät verwendet werden. Kinder dürfen das Gerät nicht ohne Aufsicht reinigen oder warten.
- Kinder im Alter von 3 bis 8 Jahren dürfen Gegenstände in Kühlschränken einlagern und herausnehmen. Kinder dürfen keine Reinigung oder einfache Wartung des Gerätes durchführen. Sehr junge Kinder (0 bis 3 Jahre) dürfen das Gerät nicht verwenden. Junge Kinder (3 bis 8 Jahre) dürfen das Gerät zur Gewährleistung einer sicheren Nutzung nur bei kontinuierlicher Beaufsichtigung verwenden. Ältere Kinder (8 bis 14 Jahre) und gefährdete Personen können das Gerät sicher verwenden, sofern sie angemessen beaufsichtigt und in der Benutzung des Gerätes unterwiesen wurden. Stark gefährdeten Personen dürfen das Gerät zur Gewährleistung der Sicherheit nur bei kontinuierlicher Beaufsichtigung verwenden.
- Wenn das Netzkabel beschädigt ist, muss es vom Hersteller, einem Servicebeauftragten oder einer vergleichbar qualifizierten Person ausgetauscht werden, um Gefährdungen zu vermeiden.
- Das Gerät ist nicht für die Nutzung in Höhen über 2000 m ausgelegt.

## **Bitte beachten Sie zur Vermeidung einer Lebensmittelkontamination die folgenden Hinweise:**

- Durch längeres Öffnen der Tür kann die Temperatur in den Fächern des Gerätes deutlich ansteigen.
- Reinigen Sie Flächen, die mit Lebensmitteln in Kontakt kommen, sowie erreichbare Ablaufsysteme regelmäßig.
- Bewahren Sie rohes Fleisch und Fisch in geeigneten Behältern im Kühlschrank auf, damit sie nicht mit anderen Lebensmitteln in Berührung kommen.
- Zwei-Sterne-Gefrierfächer eignen sich zur Aufbewahrung von Tiefkühlkost, zur Aufbewahrung und Herstellung von Eiscreme und zur Herstellung von Eiswürfeln.
- Ein-, Zwei- und Drei-Sterne-Gefrierfächer eignen sich nicht zum Einfrieren frischer Lebensmittel.
- Falls das Kühlgerät lange Zeit nicht verwendet wird, sollten Sie es abschalten, abtauen, reinigen, abtrocknen und die Tür offen lassen, damit sich kein Schimmel im Gerät bildet.

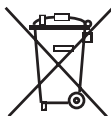
## **Kundendienst**

- Wenden Sie sich zur Reparatur des Geräts an ein autorisiertes Servicezentrum. Verwenden Sie nur Original-Ersatzteile.
- Bitte beachten Sie, dass eine Eigenreparatur oder eine nicht fachgerechte Reparatur gefährlich sein und zum Erlöschen der Garantie führen kann.
- Die folgenden Ersatzteile werden noch 7 Jahre nach Auslauf des Modells verfügbar sein: Thermostate, Temperatursensoren, Leiterplatten, Leuchtmittel, Türgriffe, Türscharniere, Laden und Körbe.
- Bitte beachten Sie, dass einige dieser Ersatzteile nur für professionelle Werkstätten erhältlich sind und dass nicht alle Ersatzteile für alle Modelle gelten.
- Türdichtungen werden noch bis 10 Jahre nach der Einstellung des Modells erhältlich sein.

## Alte und nicht mehr funktionstüchtige Kühlschränke

- Wenn der alte Kühl- oder Gefrierschrank mit einem Schloss versehen ist, dieses vor dem Entsorgen des Geräts zerstören oder entfernen, da ansonsten die Gefahr besteht, dass sich Kinder versehentlich einschließen.
- Dämmmaterial und Kühlmittel alter Kühl- und Gefrierschränke enthalten FCKW. Beim Entsorgen deshalb sorgfältig vorgehen, um Umweltschäden zu vermeiden.

## Entsorgung von Altgeräten



Das Symbol auf dem Gerät bzw. auf der Verpackung weist darauf hin, dass es nicht als Hausmüll behandelt werden darf. Das Gerät muss bei der entsprechenden Sammelstelle abgegeben werden, sodass elektrische und elektronische Teile der Weiterverwertung zugeführt werden können. Durch die ordnungsgemäße Entsorgung von Altgeräten leisten Sie einen wertvollen Beitrag zum Schutz von Umwelt und Gesundheit. Ausführliche Informationen zum Entsorgen des Geräts erhalten Sie beim zuständigen Abfallwirtschaftsamt, beim Abfallentsorgungsunternehmen oder beim Händler, bei dem Sie das Gerät gekauft haben.

## Hinweise:

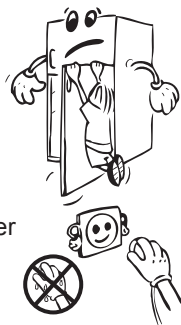
- Das Gerät ist zur Nutzung im Haus ausgelegt und ausschließlich zur Lagerung bzw. Kühlung von Lebensmitteln vorgesehen. Es ist nicht für die gewerbliche oder öffentliche Nutzung konzipiert und nicht für die Lagerung anderer Stoffe als Lebensmittel vorgesehen. Bei Nichteinhaltung wird keine Haftung für eventuell daraus entstehende Verluste übernommen.

## Sicherheits-Warnhinweise

- Verwenden Sie keine Steckerleisten oder Verlängerungskabel.
- Ist der Netzstecker beschädigt, zerrissen oder verschlissen, dürfen Sie ihn nicht mehr verwenden.
- Das Kabel darf nicht gedehnt, geknickt oder beschädigt werden.



- Verwenden Sie keine Steckeradapter.
- Dieses Gerät ist nur für den Betrieb durch Erwachsene vorgesehen. Lassen Sie niemals Kinder mit dem Gerät spielen oder an der Tür hängen.
- Um elektrische Schläge zu vermeiden, dürfen Sie den Netzstecker niemals mit nassen Händen aus- oder einstecken!



- Geben Sie keine Glasflaschen oder Getränkedosen in den Gefrierenteil. Flaschen oder Dosen könnten explodieren.
- Geben Sie zu Ihrer eigenen Sicherheit keine explosiven oder brennbaren Materialien in den Kühlschrank. Geben Sie Getränke mit höherem Alkoholgehalt liegend und fest verschlossen in das Gefrierfach.
- Wenn Sie Eis aus dem Gefrierenteil nehmen, dürfen Sie es nicht berühren, um Kälteverbrennungen und/oder Schnitte zu vermeiden.
- Berühren Sie gefrorene Lebensmittel niemals mit nassen Händen! Essen Sie niemals Eis und Eiswürfel sofort nachdem Sie sie aus dem Gefrierschrank entnommen haben!
- Frieren Sie bereits aufgetaute oder geschmolzene Nahrungsmittel nicht wieder ein. Dies kann zu gesundheitlichen Folgen wie Lebensmittelvergiftung führen.
- Decken Sie das Gehäuse oder die Oberseite des Kühlschranks nicht ab. Dies beeinträchtigt die Leistung Ihres Kühlschranks.
- Fixieren Sie beim Transport die Zubehörteile im Inneren, um deren Beschädigung zu vermeiden.

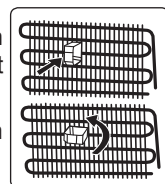


## Hinweise zum Aufstellen und Anschließen

Beachten Sie bitte die folgenden Punkte, bevor Sie die Kühl-Gefrierkombination zum ersten Mal verwenden:

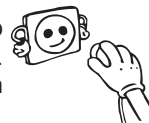
- Die Betriebsspannung für die Kühl-Gefrierkombination beträgt 220-240 V bei 50 Hz.
- Der Stecker muss nach dem Aufstellen und Anschließen zugänglich sein.
- Bei der ersten Inbetriebnahme kann die Kühl-Gefrierkombination ausdünsten. Das ist völlig normal und der Geruch lässt nach, sobald die Kühlung der Kühl-Gefrierkombination beginnt.
- Stellen Sie vor dem Anschließen der Kühl-Gefrierkombination sicher, dass die Werte der Netzstromversorgung mit den Daten auf dem Typenschild (Spannung und Anschlussleistung) übereinstimmen. Wenden Sie sich im Zweifelsfall an einen Elektriker.
- Stecken Sie den Stecker in eine Steckdose mit entsprechendem Erdungsanschluss. Wenn die Steckdose über keine Erdung verfügt oder der Stecker nicht passt, wenden Sie sich unbedingt an einen Elektriker.
- Das Gerät muss an eine ordnungsgemäß installierte Steckdose mit Sicherung angeschlossen werden. Die Stromversorgung (AC) und Spannung am Betriebsstandort müssen mit den Angaben auf dem Typenschild des Geräts übereinstimmen (das Typenschild befindet sich auf der Innenseite links im Gerät).
- Für Schäden, die auf fehlende Erdung zurückzuführen sind, wird keine Haftung übernommen.
- Die Kühl-Gefrierkombination keinem direkten Sonnenlicht aussetzen.
- Die Kühl-Gefrierkombination darf unter keinen Umständen im Freien betrieben oder Regen ausgesetzt werden.
- Der Abstand des Geräts zu Öfen, Gasherden und Feuerstellen muss mindestens 50 cm, zu Elektroöfen mindestens 5 cm betragen.

- Die Kühl-Gefrierkombination nicht abdecken, da dadurch die Leistung des Geräts beeinträchtigt würde.
- Zur Oberseite des Geräts ist ein Abstand von mindestens 150 mm erforderlich. Keine Gegenstände auf dem Gerät abstellen.
- Keine schweren Gegenstände auf dem Gerät abstellen.
- Vor der Verwendung das Gerät sorgfältig reinigen (siehe „Reinigung und Wartung“).
- Vor der Verwendung der Kühl-Gefrierkombination alle Teile mit einer Lösung aus warmem Wasser und einem Teelöffel Natron abwischen. Anschließend mit klarem Wasser abspülen und trocknen. Nach dem Reinigen alle Teile wieder in die Kühl-Gefrierkombination einsetzen.
- Richten Sie das Gerät aus und sorgen Sie für einen stabilen Stand, indem Sie die höhenverstellbaren Standfüße (vorn) entsprechend einstellen. Drehen Sie dazu die FüÙe vorne am Gerät in die jeweilige Richtung. Führen Sie diesen Schritt vor dem Beladen des Geräts mit Lebensmitteln aus.
- Montieren Sie den Kunststoffabstandshalter (an den schwarzen Lamellen an der Rückseite), indem Sie ihn um 90° drehen (siehe Abbildung), damit der Verflüssiger nicht die Wand berührt.
- Das Gerät sollte mit einem lichten Abstand von nicht mehr als 75 mm von der Wand entfernt aufgestellt werden.



## Vor der Inbetriebnahme Ihres Kühlschranks

- Wenn Sie den Kühlschrank nach dem Transport zum ersten Mal in Betrieb nehmen, lassen Sie ihn vorher 3 Stunden in aufrechter Stellung stehen. Stecken Sie ihn erst dann ein. Dies stellt einen sicheren und effizienten Betrieb sicher. Andernfalls könnte der Kompressor beschädigt werden.
- Bei der ersten Inbetriebnahme kann der Kühlschrank einen merklichen Geruch entwickeln. Dieser verliert sich, sobald der Kühlvorgang richtig eingesetzt hat.



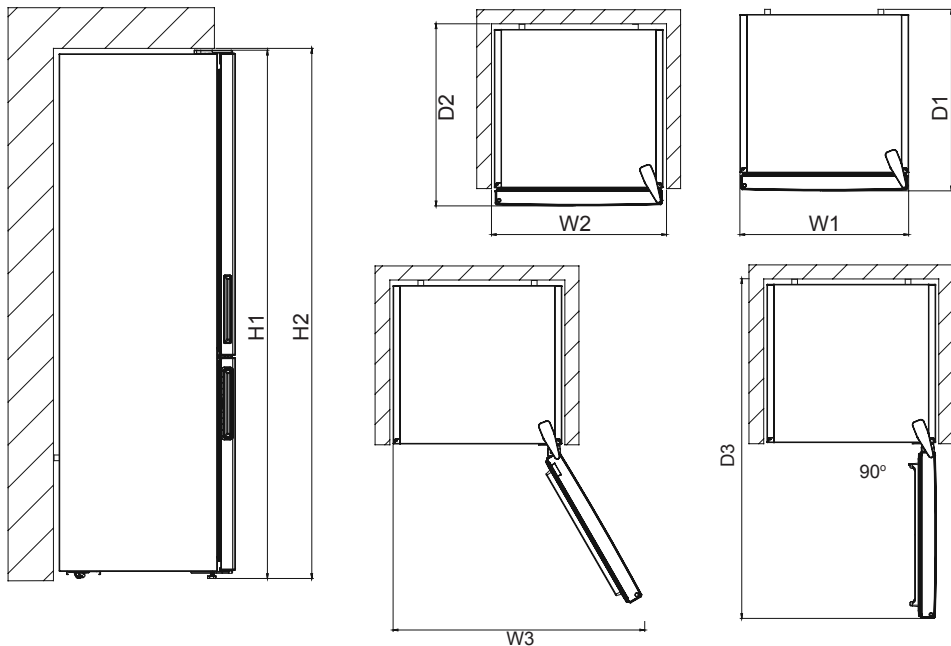
## Innenbeleuchtung



**WARNHINWEIS!**  
Stromschlaggefahr.

- Für die Leuchte(n) in diesem Gerät und die separat verkauften Ersatzlampen gilt: Diese Lampen sind für die extremen Bedingungen in Haushaltsgeräten wie Temperatur, Vibration, und Feuchtigkeit ausgelegt und signalisieren außerdem Information über ihren Zustand an die Gerätesteuerung. Sie sind nicht für den Einsatz in anderen Geräten vorgesehen und nicht als Raumbeleuchtung geeignet.

## Abmessungen



<b>Gesamtabmessungen <sup>1</sup></b>		
H1	mm	1860
W1	mm	595
D1	mm	650

<sup>1</sup> Höhe, Breite und Tiefe des Geräts ohne Griff

<b>Platzbedarf im Einsatz <sup>2</sup></b>		
H2	mm	1900
W2	mm	600
D2	mm	718

<sup>2</sup> Höhe, Breite und Tiefe des Geräts einschließlich des Handgriffs sowie des für die freie Kühlluftzirkulation erforderlichen Raums

<b>Gesamtplatzbedarf im Einsatz <sup>3</sup></b>		
W3	mm	917
D3	mm	1158

<sup>3</sup> Höhe, Breite und Tiefe des Geräts einschließlich des Handgriffs, zuzüglich des für die freie Kühlluftzirkulation erforderlichen Raumes sowie des notwendigen Platzes zum Öffnen der Tür so weit, dass die gesamte Innenausstattung entfernt werden kann

## TEIL - 2. VERWENDEN DES GERÄTS

### Informationen zur Kühltechnologie der neuen Generation

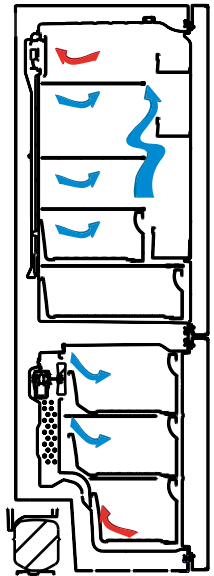
Kühlgeräte der neuen Generation arbeiten mit einer anderen Methode als Geräte mit statischem Kühlsystem. In herkömmlichen Kühlgeräten bildet die Feuchtigkeit, die durch feuchte Luft in das Gerät gelangt oder aus den Lebensmitteln dampft, im Gefriereteil Reif. Um diesen Reif zu schmelzen, muss das Kühlgerät zum abtauen abgeschaltet werden. Während dieser Zeit muss das Gefriergut außerhalb des Geräts kühl gehalten werden und das Eis im Gerät entfernt werden.

Mit der Kühltechnologie der neuen Generation sieht die Situation im Gefriereteil ganz anders aus. Mit einem Lüfter wird an mehreren Stellen kalte, trockene Luft in das Gefriereteil geblasen. Durch die gleichmäßig verteilte kalte Luft, die sogar bis in die Freiräume zwischen den Fächern gelangt, wird das Gefriergut gleichmäßig und richtig gefroren. Darüber hinaus bildet sich so kein Reif.

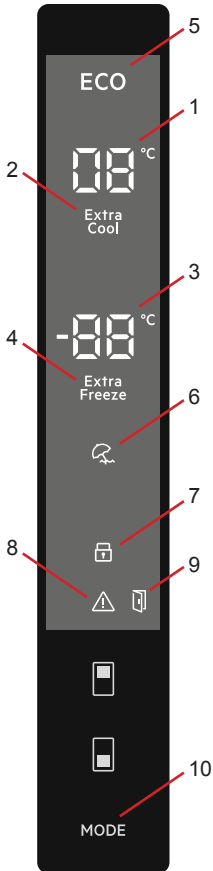
Im Kühlteil stellt sich die Situation ähnlich wie im Gefriereteil dar. Die Luft, die durch den Lüfter oben im Kühlteil in das Gerät strömt, wird gekühlt, während sie den Spalt hinter dem Luftkanal passiert. Gleichzeitig strömt Luft durch die Öffnungen im Luftkanal, wodurch der Kühlprozess im Kühlteil optimal abgeschlossen wird. Die Öffnungen im Luftkanal sind so gestaltet, dass eine gleichmäßige Luftverteilung im Kühlteil gewährleistet ist.

Die Luftkreisläufe von Gefrier- und Kühlteil sind getrennt, sodass sich keine Gerüche aus den beiden Teilen vermischen.

Das Kühlgerät bietet Ihnen somit nicht nur ein großes Volumen und ein ansprechendes Äußeres, sondern Sie profitieren dank der neuen Kühltechnologie auch von einer einfachen Verwendung.



## Display und Bedienfeld



### Verwenden des Bedienfelds

1. Kühltemperaturanzeige
2. Anzeige „Super-Kühlen“
3. Gefriertemperaturanzeige
4. Anzeige „Super-Gefrieren“
5. Symbol „Energiesparmodus“
6. Symbol „Urlaubsmodus“
7. Symbol „Kindersicherung“
8. Alarmsymbol
9. Symbol "Tür-offen-Alarmfunktion"
10. Ermöglicht bei Bedarf die Aktivierung der verschiedenen Modi (Energiesparmodus, Urlaubsmodus usw.).

### Beleuchtung (falls vorhanden)

Beim erstmaligen Anschließen des Produkts kann sich die Innenbeleuchtung aufgrund von Betriebstests mit einer Verspätung von 1 Minute einschalten.

## Bedienen der Kühl-Gefrierkombination

### Modus „Super-Gefrieren“

#### Anwendungsbereiche

- Zum Einfrieren großer Mengen Lebensmittel, die nicht in die Schnellgefrierablage passen.
- Zum Einfrieren zubereiteter Lebensmittel.
- Zum schnellen Einfrieren frischer Lebensmittel zur Wahrung ihrer Frische.

#### Verwendung

Drücken Sie die Einstelltaste Gefrieren, bis das Symbol „Super-Gefrieren“ angezeigt wird. Es wird ein doppelter Signalton ausgegeben. Der Modus wird eingestellt.

#### In diesem Modus:

- Die Temperatur des Kühlteils und des Modus „Super-Kühlen“ kann eingestellt werden. Dabei wird der Modus „Super-Gefrieren“ fortgesetzt.
- Der Energiesparmodus und der Urlaubsmodus können nicht ausgewählt werden.





- Der Modus „Super-Gefrieren“ kann auf dieselbe Weise beendet werden, wie er ausgewählt wurde.

### Wichtig:

- Auf dem Typenschild des Geräts ist die maximale Menge (in kg) an frischen Lebensmitteln angegeben, die innerhalb von 24 Stunden eingefroren werden kann.
- Die beste Geräteleistung beim Einfrieren der maximalen Gefriergutmenge erreichen Sie, wenn Sie drei Stunden vor dem Einfrieren der frischen Lebensmittel am Gerät den Modus „Super-Gefrieren“ einstellen.
- Nach Ablauf dieser Zeit signalisiert das Kühlgerät mit einem Alarmton, dass es bereit ist.



Der Modus „Super-Gefrieren“ wird automatisch nach 24 Stunden beendet, oder wenn die Gefriertemperatur unter  $-32\text{ °C}$  fällt.

### Modus „Super-Kühlen“

#### Anwendungsbereiche

- Zum Kühlen und Einlagern einer großen Menge Lebensmittel im Kühlbereich.
- Zum schnellen Kühlen von Getränken.

#### Verwendung

Drücken Sie die Einstelltaste Kühlen, bis das Symbol „Super-Kühlen“ angezeigt wird. Es wird ein doppelter Signalton ausgegeben. Der Modus wird eingestellt.

#### In diesem Modus:

- Die Temperatur des Gefrierteils und des Modus „Super-Gefrieren“ kann eingestellt werden. Dabei wird der Modus „Super-Kühlen“ fortgesetzt.
- Der Energiesparmodus und der Urlaubsmodus können nicht ausgewählt werden.
- Der Modus „Super-Kühlen“ kann auf dieselbe Weise beendet werden, wie er ausgewählt wurde.



### Energiesparmodus

#### Anwendungsbereiche

Energiesparen. Bei seltenerer Nutzung (Türöffnung) oder Abwesenheit, bspw. im Urlaub, kann das Energiesparprogramm eine optimale Temperatur bieten und gleichzeitig Energie sparen.

#### Verwendung

- Drücken Sie die Modustaste, bis das Energiesparsymbol angezeigt wird.
- Wenn innerhalb 1 Sekunde keine Taste gedrückt wird, wird der Modus eingestellt. Das Energiesparsymbol blinkt dreimal. Wenn der Modus eingestellt ist, ertönt der Signalton zweimal.
- Die Kühl- und die Gefriertemperaturanzeige zeigen „E“ an.
- Das Energiesparsymbol und „E“ leuchtet, bis der Modus beendet ist.

#### In diesem Modus:

- Das Gefrierteil kann eingestellt werden. Wenn der Energiesparmodus beendet wird, bleiben die ausgewählten Einstellungen bestehen.
- Das Kühlteil kann eingestellt werden. Wenn der Energiesparmodus beendet wird, bleiben die ausgewählten Einstellungen bestehen.
- Die Modi „Super-Kühlen“ und „Super-Gefrieren“ können ausgewählt werden. Der Energiesparmodus wird automatisch beendet und der ausgewählte Modus aktiviert.



- Der Urlaubsmodus kann nach Beenden des Energiesparmodus ausgewählt werden. Anschließend wird der ausgewählte Modus aktiviert.
- Zum Beenden brauchen Sie lediglich die Modustaste zu drücken.

## Urlaubsmodus

### Verwendung

- Drücken Sie die Modustaste, bis das Urlaubssymbol angezeigt wird.
- Wenn innerhalb 1 Sekunde keine Taste gedrückt wird, wird der Modus eingestellt. Das Urlaubssymbol blinkt dreimal. Wenn der Modus eingestellt ist, ertönt der Signalton zweimal.
- Die Kühltemperaturanzeige zeigt „--“ an.
- Das Urlaubssymbol und „--“ leuchten, bis der Modus beendet ist.

### In diesem Modus:

- Das Gefrierteil kann eingestellt werden. Wenn der Urlaubsmodus beendet wird, bleiben die ausgewählten Einstellungen bestehen.
- Das Kühlteil kann eingestellt werden. Wenn der Urlaubsmodus beendet wird, bleiben die ausgewählten Einstellungen bestehen.
- Die Modi „Super-Kühlen“ und „Super-Gefrieren“ können ausgewählt werden. Der Urlaubsmodus wird automatisch beendet und der ausgewählte Modus aktiviert.
- Der Energiesparmodus kann nach Beenden des Urlaubsmodus ausgewählt werden. Anschließend wird der ausgewählte Modus aktiviert.
- Zum Beenden brauchen Sie lediglich die Modustaste zu drücken.



## Getränkekühlung-Modus

### Anwendungsbereiche

Mit diesem Modus lassen sich Getränke über einen einstellbaren Zeitraum kühlen.

### Verwendung

- Drücken Sie die Gefriertaste 3 Sekunden lang.
- Die Gefriertemperaturanzeige wird animiert und an der Kühltemperaturanzeige wird „05“ angezeigt.
- Drücken Sie zum Einstellen der Zeit (05, 10, 15, 20, 25 oder 30 Minuten) die Einstelltaste Kühlen.
- Wenn Sie die Zeit auswählen, blinken die Zahlen dreimal und der Signalton ertönt zweimal.
- Wenn innerhalb von zwei Sekunden keine Taste gedrückt wird, wird die Zeit eingestellt.
- Der Countdown beginnt ab der eingestellten Zeit in Minutenschritten.
- Die verbleibende Zeit blinkt in der Anzeige.
- Um diesen Modus zu beenden, drücken Sie die Einstelltaste Gefrieren drei Sekunden lang.



## Bildschirmschoner-Modus

### Zweck

Dieser Modus spart Energie, indem die gesamte Bedienfeldbeleuchtung bei inaktivem Bedienfeld abgeschaltet wird.

### Anleitung

- Der Bildschirmschoner-Modus wird nach 30 Sekunden automatisch aktiviert.
- Wenn Sie eine jegliche Taste betätigen, während die Beleuchtung des Anzeigefelds aus ist, erscheint die aktuelle Geräteeinstellung wieder am Display, so dass Sie nun beliebige Änderungen vornehmen können.
- Wenn Sie dann 30 Sekunden lang keine andere Taste drücken, werden die Lichter am Anzeigefeld ausgeschaltet.

### So deaktivieren Sie den Bildschirmschoner-Modus

- Brechen Sie den Bildschirmschoner-Modus ab, indem Sie zunächst eine beliebige Taste zur Aktivierung der Tasten drücken und dann die Modustaste 3 Sekunden lang gedrückt halten.
- Halten Sie zum Reaktivieren des Bildschirmschoner-Modus 3 Sekunden lang die Modustaste gedrückt.



## Die Kindersicherung

### Anwendungsbereiche

Damit Kinder nicht mit den Tasten spielen und die Einstellungen verändern, ist am Gerät eine Kindersicherung verfügbar.

### Aktivieren der Kindersicherung

Drücken Sie die Einstelltaste Gefrieren und die Einstelltaste Kühlen gleichzeitig 5 Sekunden lang.

### Deaktivieren der Kindersicherung

Drücken Sie die Einstelltaste Gefrieren und die Einstelltaste Kühlen gleichzeitig 5 Sekunden lang.



Die Kindersicherung wird auch durch einen Stromausfall deaktiviert, oder wenn das Kühlgerät vom Netz genommen wird.



## Alarmfunktion Tür offen

Falls die Tür des Kühlbereichs länger als 2 Minuten offen ist, gibt das Gerät zwei Signaltöne aus und leuchtet das Tür-offen-Symbol auf.



## Temperatureinstellungen

### Gefriertemperatureinstellungen

- Zu Beginn ist an der Gefrierstufenanzeige eine Temperatur von -18 °C eingestellt.
- Drücken Sie die Einstelltaste Gefrieren einmal.
- Beim ersten Drücken der Taste blinkt der zuletzt eingestellte Wert in der Anzeige.
- Jedes Mal, wenn Sie diese Taste drücken, wird die Temperatur entsprechend gesenkt.
- Wenn Sie die Einstelltaste Gefrieren drücken, bis das Symbol „Super-Gefrieren“ eingeblendet wird, und Sie innerhalb einer Sekunde keine weitere Taste drücken, blinkt „Super-Gefrieren“
- Wenn Sie die Taste weiter drücken, beginnt die Einstellung wieder bei „-16 °C“.
- Der vor dem Urlaubsmodus, dem Modus „Super-Gefrieren“, dem Modus „Super-Kühlen“ oder dem Energiesparmodus ausgewählte Temperaturwert wird aktiviert und bleibt erhalten, wenn der Modus abgeschlossen ist oder beendet wird. Das Gerät wird mit diesem Temperaturwert weiter betrieben.



### Kühltemperatureinstellungen

- Zu Beginn ist an der Kühlstufenanzeige eine Temperatur von +4 °C eingestellt.
- Drücken Sie die Einstelltaste Kühlen einmal.
- Beim ersten Drücken dieser Taste wird an der Kühlstufenanzeige der zuletzt eingestellte Wert angezeigt.
- Jedes Mal, wenn Sie diese Taste drücken, wird die Temperatur entsprechend gesenkt.
- Wenn Sie die Einstelltaste Kühlen drücken, bis das Symbol „Super-Kühlen“ eingeblendet wird, und Sie innerhalb einer Sekunde keine weitere Taste drücken, blinkt „Super-Kühlen“
- Wenn Sie die Taste weiter drücken, beginnt die Einstellung wieder bei „+8 °C“.
- Der vor dem Urlaubsmodus, dem Modus „Super-Gefrieren“, dem Modus „Super-Kühlen“ oder dem Energiesparmodus ausgewählte Temperaturwert wird aktiviert und bleibt erhalten, wenn der Modus abgeschlossen ist oder beendet wird. Das Gerät wird mit diesem Temperaturwert weiter betrieben.



### Empfohlene Temperatureinstellungen für Kühl- und Tiefkühlbereich

Tiefkühlbereich	Kühlbereich	Anmerkungen
-18 °C	4 °C	Für reguläre Nutzung und optimale Leistung.
-20 °C, -22 °C oder -24 °C	4 °C	Empfohlen bei einer Umgebungstemperatur von über 30 °C.
Schnellgefriermodus	4 °C	Muss verwendet werden, wenn Sie frische Lebensmittel schnell einfrieren möchten.
-18 °C, -20 °C, -22 °C oder -24 °C	2 °C	Diese Temperatureinstellungen müssen verwendet werden, wenn die Umgebungstemperatur hoch ist oder Sie denken, dass der Kühlbereich aufgrund häufigen Öffnen der Gerätetür nicht kalt genug ist.

## Warnhinweise zur Temperatureinstellung

- Im Hinblick auf die Effizienz empfiehlt es sich nicht, das Kühlgerät bei Umgebungstemperaturen von weniger als 10 °C zu betreiben.
- Beginnen Sie keine weitere Einstellung, wenn Sie bereits eine Einstellung bearbeiten.
- Die Einstellung der Temperatur sollte sich nach der Häufigkeit des Türöffnens, der Menge des Kühlguts im Gerät und der Umgebungstemperatur am Aufstellort des Kühlgeräts richten.
- Damit das Kühlgerät nach dem Anschließen an das Netz die Betriebstemperatur erreichen kann, vermeiden Sie häufiges Türöffnen und lagern Sie keine zu großen Mengen an Lebensmitteln im Gerät. Abhängig von der Umgebungstemperatur kann es bis zu 24 Stunden dauern, bis das Kühlgerät die Betriebstemperatur erreicht.
- Eine Verzögerungsfunktion von 5 Minuten verhindert Schäden am Kompressor des Kühlgeräts, wenn das Gerät an das Netz angeschlossen bzw. vom Netz getrennt wird oder die Stromversorgung ausfällt. Nach 5 Minuten nimmt das Kühlgerät den Normalbetrieb auf.
- Das Gerät ist auf den Betrieb in Umgebungstemperaturen im Bereich von 10 °C - 43 °C ausgelegt. Es wird nicht empfohlen, das Kühlgerät in Umgebungen außerhalb der angegebenen Temperaturbereiche zu betreiben. Dadurch verschlechtert sich die Kühleffizienz des Geräts.

Klimaklasse	Bedeutung	Umgebungstemperatur
T	Tropisch	Dieses Kühlgerät ist für den Einsatz bei Umgebungstemperaturen von 16 bis 43 °C vorgesehen.
ST	Subtropisch	Dieses Kühlgerät ist für den Einsatz bei Umgebungstemperaturen von 16 bis 38 °C vorgesehen. Dieses Kühlgerät ist für den Einsatz bei Umgebungstemperaturen von 16 bis 38 °C vorgesehen.
N	Gemäßigt	Dieses Kühlgerät ist für den Einsatz bei Umgebungstemperaturen von 16 bis 32 °C vorgesehen.
SN	Erweiterter Temperaturbereich	Dieses Kühlgerät ist für den Einsatz bei Umgebungstemperaturen von 10 bis 32 °C vorgesehen.

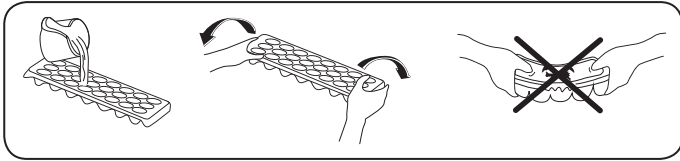
### Wichtige Anweisungen zum Aufstellen

Dieses Gerät ist auf den Betrieb unter schwierigen klimatischen Bedingungen (bis zu 43 °C) ausgelegt und wird mit der „Freezer Shield“-Technologie betrieben. Diese sorgt dafür, dass das Gefriergut im Gefrierschrank nicht auftaut, auch wenn die Umgebungstemperatur auf -15 °C abfällt. Sie können dann das Gerät in einem unbeheizten Raum aufstellen und brauchen sich nicht um möglicherweise verdorbenes Gefriergut zu sorgen. Sobald die Umgebungstemperatur wieder den normalen Wert erreicht, können Sie das Gerät wie gewöhnlich verwenden.

## Zubehör

### Eiswürfelschale

- Füllen Sie die Eiswürfelschale mit Wasser und legen Sie sie in das Gefrierteil.
- Wenn das Wasser vollständig gefroren ist, können Sie die Schale wie in der Abbildung gezeigt umdrehen, um die Eiswürfel zu entnehmen.





### Gefrierbox

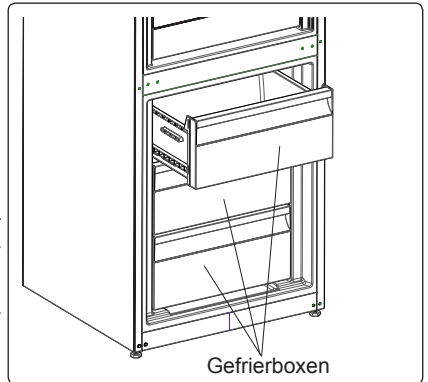
Die Gefrierbox ermöglicht einen einfacheren Zugang zum Gefriergut.

#### Entfernen der Gefrierbox:

- Ziehen Sie die Box so weit wie möglich heraus.
- Ziehen Sie die Box vorne hoch und dann heraus.

 Führen Sie diesen Vorgang in umgekehrter Reihenfolge aus, um das Einschubfach wieder einzusetzen.

 Halten Sie die Box beim Herausnehmen immer am Griff fest.

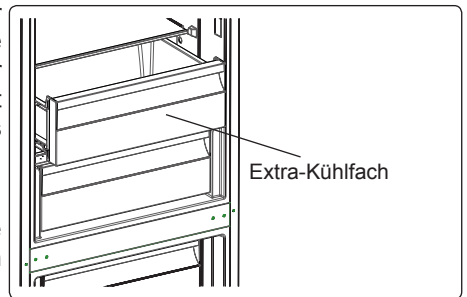


### Extra-Kühlfach (bei bestimmten Modellen)

Ideal zur Erhaltung des Geschmacks und der Textur von frischem Fleisch und Käse. Die ausziehbare Schublade gewährleistet dank der aktiven Kaltluftzirkulation eine Umgebung mit einer niedrigeren Temperatur als im Rest des Kühlschranks.

#### Das Extra-Kühlfach Entfernen:

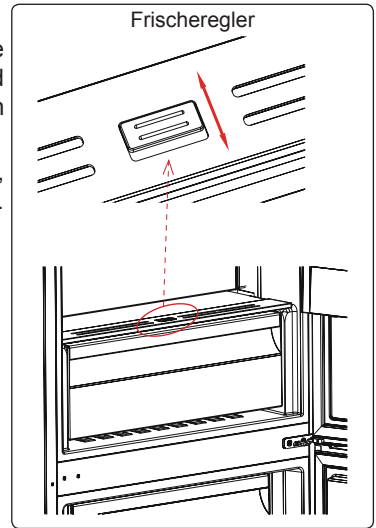
- Ziehen Sie das Extra-Kühlfach in Ihre Richtung, indem Sie es über die Schienen gleiten lassen.
- Heben Sie das Kälteregeal von den Schienen ab.



### **Frischeregler (bei bestimmten Modellen)**

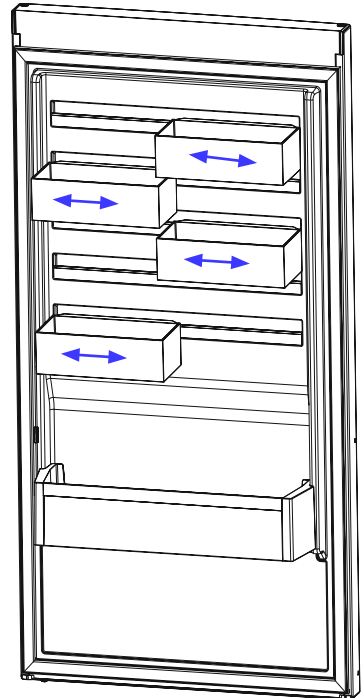
Bei vollem Gemüsefach sollte der Frischeregler vorne am Gemüsefach geöffnet werden. So kann die Luft und die Feuchtigkeit im Gemüsefach reguliert werden, um die Haltbarkeit der Lebensmittel im Fach zu verlängern.

Wenn sich Kondenswasser am Glasablagefach bildet, muss der Frischeregler hinter dem Fach geöffnet werden.



### **CustomFlex (bei bestimmten Modellen)**


CustomFlex® gibt Ihnen große Freiheit zur persönlichen Einrichtung des Stauraums in Ihrem Kühlschrank. In der Tür befinden sich ein Der Deckel des CustomFlex-Aufbewahrungsbehälters wird durch Ziehen in Pfeilrichtung geöffnet sowie mehrere mobile Behälter, so dass Sie diesen Raum ganz auf Ihre Bedürfnisse abstimmen können. Die Behälter sind sogar herausnehmbar, so dass Sie sie für leichten Zugang aus dem Kühlschrank entnehmen können.





**Die Darstellungen und Beschreibungen im Abschnitt über Zubehör können je nach Modell von Ihrem Gerät abweichen.**

## TEIL - 3. LEBENSMITTELLAGERUNG

### Kühlteil

- Das Fach für frische Lebensmittel ist (auf dem Typenschild) markiert mit .
- Bewahren Sie Flüssigkeiten stets in verschlossenen Behältern im Kühlschrank auf, um Feuchtigkeit und die daraus entstehende Bildung von Reif zu vermeiden. Reif konzentriert sich an den kältesten Stellen, an denen die Flüssigkeit verdunstet, und im Lauf der Zeit muss das Gerät immer häufiger abgetaut werden.
- Stellen Sie keinesfalls warme Lebensmittel in den Kühlschrank. Warme Lebensmittel müssen zunächst bei Raumtemperatur abgekühlt werden und dann so im Kühlteil angeordnet werden, dass eine ausreichende Luftzirkulation gewährleistet ist.
- Achten Sie darauf, dass das Kühlgut nicht die Geräterückwand berührt, da sich Reif bildet und die Verpackung an der Rückwand haften bleibt. Öffnen Sie die Kühlschranktür nicht zu häufig.
- Es empfiehlt sich, Fleisch und rohen Fisch locker einzuschlagen und auf dem Glasfachboden direkt über der Gemüsebox zu lagern. Hier bieten sich aufgrund der kühleren Luft die besten Lagerbedingungen dafür.
- Bewahren Sie loses Obst und Gemüse in den Gemüfefächern auf.
- Obst und Gemüse sollte getrennt gelagert werden, damit ethylenempfindliche Gemüsesorten (grüne Blätter, Brokkoli, Karotten usw.) nicht durch ethylenausscheidendes Obst (Bananen, Pfirsiche, Aprikosen, Feigen usw.) angegriffen werden.
- Legen Sie kein feuchtes Gemüse in den Kühlschrank.
- Die Lagerdauer für Lebensmittel hängt zum einen von der Anfangsqualität des Produkts ab. Zum anderen ist aber auch eine ununterbrochene Kühlkette vor der Einlagerung im Kühlschrank ein wichtiges Kriterium.
- Um Verunreinigungen zwischen verschiedenen Lebensmitteln zu vermeiden, lagern Sie Fleischprodukte nicht zusammen mit Obst und Gemüse ein. Das aus dem Fleisch austretende Wasser kann andere Produkte im Kühlschrank verderben. Verpacken Sie Fleischprodukte deshalb immer gut und wischen Sie ausgetretene Flüssigkeiten auf den Fachböden ab.
- Legen Sie keine Lebensmittel vor den Luftkanälen ab.
- Verbrauchen Sie abgepackte Lebensmittel vor dem empfohlenen Mindesthaltbarkeitsdatum.

 **HINWEIS:** Die effizienteste Nutzung der Energie ist in der Konfiguration mit den Schubladen im unteren Teil des Geräts und gleichmäßig verteilten Regalen gewährleistet. Die Positionen der Türfächer haben keinen Einfluss auf den Energieverbrauch.


 **HINWEIS:** Kartoffeln, Zwiebeln und Knoblauch sollten nicht im Kühlschrank aufbewahrt werden.



In der folgenden Tabelle sind die wichtigsten Lebensmittelgruppen und die jeweils beste Aufbewahrungsart und -dauer im Kühlteil aufgeführt.

Lebensmittel	Maximale Lagerdauer	Lagerart und -ort
<b>Obst und Gemüse</b>	1 Woche	Gemüsebox
<b>Fleisch und Fisch</b>	2 - 3 Tage	In Kunststoffolie oder -beutel oder im Fleischbehälter auf dem Glasfachboden lagern
<b>Käse</b>	3 - 4 Tage	Im dafür vorgesehenen Türfach
<b>Butter und Margarine</b>	1 Woche	Im dafür vorgesehenen Türfach
<b>Flaschenprodukte, z. B. Milch und Joghurt</b>	Bis zum vom Hersteller angegebenen Ablaufdatum	Im dafür vorgesehenen Türfach
<b>Eier</b>	1 Monat	Im dafür vorgesehenen Eierfach
<b>Gekochte Lebensmittel</b>	2 Tage	Alle Ablagefächer

## Gefrierteil

- Das Gefrierfach ist markiert mit .
- Im Gefrierteil werden gefrorene Lebensmittel aufbewahrt, frische Lebensmittel eingefroren und Eiswürfel erzeugt.
- Zum Einfrieren frischer Lebensmittel; Lebensmittel angemessen einwickeln und abdichten. Die Verpackung muss luftdicht sein und darf nicht auslaufen. Spezielle Gefrierbeutel, Alufolie, Polyäthylenbeutel und Kunststoffbehälter sind dazu am besten geeignet.
- Lagern Sie frische Lebensmittel nicht neben gefrorenen Lebensmitteln ein, da diese sonst angetaut werden können.
- Frieren Sie frische Lebensmittel portionsweise ein.
- Brauchen Sie angetautes Gefriergut innerhalb kurzer Zeit nach dem Auftauen auf.
- Legen Sie keinesfalls warme Lebensmittel in das Gefrierteil, da sie das Gefriergut antauen können.
- Halten Sie sich beim Lagern von Tiefkühlkost stets an die Anweisungen des Herstellers auf der Lebensmittelverpackung. Wenn keine Angaben zur Lagerdauer verfügbar sind, bewahren Sie Lebensmittel maximal 3 Monate ab Kaufdatum im Gefrierteil auf.
- Achten Sie beim Kauf von Tiefkühlprodukten darauf, dass sie sachgemäß gelagert wurden und die Verpackung nicht beschädigt ist.
- Tiefkühlprodukte müssen in geeigneten Behältnissen transportiert und sobald wie möglich in den Gefrierschrank gebracht werden.
- Kaufen Sie keine Tiefkühlprodukte, deren Packung feucht oder aufgequollen ist. Dies können Anzeichen für Lagerung bei falschen Temperaturen und für verdorbenen Inhalt sein.
- Die Haltbarkeit gefrorener Lebensmittel hängt von der Raumtemperatur, den Thermostateinstellungen, der Häufigkeit des Türöffnens, der Art der Lebensmittel und der Dauer des Transports vom Laden zu Ihnen nach Hause ab. Halten Sie sich stets an die Anweisungen auf der Verpackung und überschreiten Sie keinesfalls die angegebene maximale Haltbarkeit.

- Auf dem Typenschild des Geräts ist die maximale Menge (in kg) an frischen Lebensmitteln angegeben, die innerhalb von 24 Stunden eingefroren werden kann.
- Damit die gesamte Kapazität des Gefrierteils ausgenutzt wird, verwenden Sie die Glasfachböden für den oberen und mittleren Teil und die untere Schublade für den unteren Teil.
- Verwenden Sie die Schnellgefrierablage zum schnelleren Einfrieren von Hausmannskost (und anderen Lebensmitteln, die schnell eingefroren werden sollen) aufgrund der höheren Gefrierleistung der Tiefkühlablage. Die Schnellgefrierablage ist das untere Schubfach des Tiefkühlbereichs.

**HINWEIS:** Wenn Sie direkt nach dem Schließen der Gefrierteiltür versuchen, sie wieder zu öffnen, werden Sie feststellen, dass sie sich nur sehr schwer öffnen lässt. Das ist völlig normal. Sobald der Unterdruck ausgeglichen ist, lässt sie sich ganz normal öffnen.


**Wichtiger Hinweis:**

- Frieren Sie einmal aufgetaute Lebensmittel nicht wieder ein.
- Der Geschmack mancher Gewürze in gekochten Gerichten (Anis, Basilikum, Wasserkresse, Essig, Gewürzmischungen, Ingwer, Knoblauch, Zwiebel, Senf, Thymian, Majoran, schwarzer Pfeffer usw.) ändert sich und sie nehmen einen intensiven Geschmack an, wenn sie über einen längeren Zeitraum eingelagert werden. Würzen Sie deshalb einzufrierende Gerichte nur spärlich, oder geben Sie die Gewürze erst nach dem Auftauen zu.
- Die Lagerdauer von Lebensmitteln hängt vom der verwendeten Öl ab. Geeignete Öle bzw. Fette sind Margarine, Kalbsfett, Olivenöl und Butter. Nicht geeignet sind Erdnussöl und Schweinefett.
- Flüssige Lebensmittel sollten in Kunststoffbechern, andere Lebensmittel in Kunststofffolien oder -beuteln eingefroren werden.



In der folgenden Tabelle sind die wichtigsten Lebensmittelgruppen und die jeweils beste Aufbewahrungsart und -dauer im Gefrierteil aufgeführt.

Fleisch und Fisch	Vorbereitung	Maximale Lagerdauer (Monate)
Steak	In Folie wickeln	6 - 8
Lammfleisch	In Folie wickeln	6 - 8
Kalbsbraten	In Folie wickeln	6 - 8
Kalbsgulasch	In kleinen Stücken	6 - 8
Lammgulasch	In Stücken	4 - 8
Hackfleisch	Verpackt ohne Gewürze	1 - 3
Innereien (Stücke)	In Stücken	1 - 3
Mortadella/Salami	Verpackt, auch wenn sie eine Haut hat	
Hähnchen und Pute	In Folie wickeln	4 - 6
Gans und Ente	In Folie wickeln	4 - 6
Hirsch, Hase, Wildschwein	In Portionen von 2,5 kg oder filetiert	6 - 8

<b>Fleisch und Fisch</b>	<b>Vorbereitung</b>	<b>Maximale Lagerdauer (Monate)</b>
<b>Süßwasserfisch (Lachs, Karpfen, Wels)</b>	Nach dem Schuppen und Ausnehmen, den Fisch waschen und trocknen.Ggf. Schwanz und Kopf entfernen.	2
<b>Fettarmer Fisch (Barsch, Steinbutt, Flunder)</b>		4
<b>Fetter Fisch (Thunfisch, Makrele, Blaubarsch, Anchovis)</b>		2 - 4
<b>Meeresfrüchte</b>	Geputzt im Beutel	4 - 6
<b>Kaviar</b>	In der Verpackung oder in einem Aluminium-/Kunststoffbehälter	2 - 3
<b>Schnecken</b>	In Salzwasser oder in einem Aluminium-/Kunststoffbehälter	3
 <b>HINWEIS:</b> Aufgetautes Fleisch muss wie frisches Fleisch gekocht werden.Wenn es nach dem Auftauen nicht gekocht wird, darf es nicht mehr eingefroren werden.		

<b>Obst und Gemüse</b>	<b>Vorbereitung</b>	<b>Maximale Lagerdauer (Monate)</b>
<b>Buschbohnen, Bohnen</b>	Waschen, in Stücke schneiden und blanchieren	10 - 13
<b>Dicke Bohnen</b>	Enthülsen, waschen und blanchieren	12
<b>Kohl</b>	Putzen und blanchieren	6 - 8
<b>Karotten</b>	Putzen, in Scheiben schneiden und blanchieren	12
<b>Paprika</b>	Entstielen, in zwei Teile schneiden, Kerngehäuse herauslösen und blanchieren	8 - 10
<b>Spinat</b>	Waschen und blanchieren	6 - 9
<b>Blumenkohl</b>	Blätter entfernen, Herz in Stücke schneiden und eine Weile in Wasser mit etwas Zitronensaft legen	10 - 12
<b>Aubergine</b>	Nach dem Waschen in 2 cm große Stücke schneiden	10 - 12
<b>Mais</b>	Putzen und mit Strunk verpacken oder als Zuckermais	12
<b>Äpfel und Birnen</b>	Schälen und in Scheiben schneiden	8 - 10
<b>Aprikosen und Pfirsiche</b>	In zwei Teile schneiden und Kern entfernen	4 - 6

Obst und Gemüse	Vorbereitung	Maximale Lagerdauer (Monate)
<b>Erdbeeren und Brombeeren</b>	Waschen und entstielen	8 - 12
<b>Gekochte Früchte</b>	10 % Zucker in den Behälter zugeben	12
<b>Pflaumen, Kirschen, Sauerkirschen</b>	Waschen und entstielen	8 - 12

	Maximale Lagerdauer (Monate)	Auftauzeit bei Raumtemperatur (Stunden)	Auftauzeit im Ofen (Minuten)
<b>Brot</b>	4 - 6	2 - 3	4-5 (220-225 °C)
<b>Plätzchen</b>	3 - 6	1 - 1,5	5-8 (190-200 °C)
<b>Gebäck</b>	1 - 3	2 - 3	5-10 (200-225 °C)
<b>Kuchen</b>	1 - 1,5	3 - 4	5-8 (190-200 °C)
<b>Filoteig</b>	2 - 3	1 - 1,5	5-8 (190-200 °C)
<b>Pizza</b>	2 - 3	2 - 4	15-20 (200 °C)

Milchprodukte	Vorbereitung	Maximale Lagerdauer (Monate)	Lagerbedingungen
<b>(Homogenisierte) Milch im Tetrapack</b>	In der eigenen Verpackung	2 - 3	Reine Milch – in der eigenen Verpackung
<b>Käse – außer Quark</b>	In Scheiben	6 - 8	Originalverpackung für kurzfristiges Einfrieren. In Folie gewickelt für längere Lagerzeiten.
<b>Butter, Margarine</b>	In der eigenen Verpackung	6	

## TEIL - 4. REINIGUNG UND WARTUNG



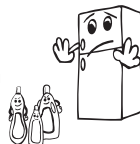
Trennen Sie das Gerät vor dem Reinigen vom Netz.



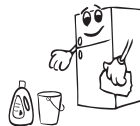
Leeren Sie kein Wasser über das Gerät.



Verwenden Sie zum Reinigen keine scheuernden Mittel, Reinigungsmittel oder Seifen. Spülen Sie das Gerät nach dem Reinigen sorgfältig mit klarem Wasser. Stecken Sie nach dem Reinigen den Gerätestecker mit trockenen Händen wieder in die Netzsteckdose.



- Achten Sie darauf, dass kein Wasser in das Lampengehäuse und andere elektrische Komponenten gelangt.
- Das Gerät muss regelmäßig mit einer Lösung aus Natron und lauwarmem Wasser gereinigt werden.



- Reinigen Sie das Zubehör separat von Hand mit Wasser und Seife. Waschen Sie das Zubehör nicht im Geschirrspüler.



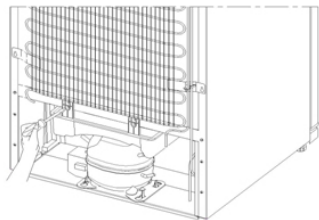
- Reinigen Sie den Verflüssiger mindestens zweimal jährlich mit einer Bürste. So sparen Sie Energie und steigern die Leistung des Geräts.



**Zum Reinigen das Gerät stets vom Stromnetz trennen.**

### Abtauen

- Das Kühlgerät wird automatisch abgetaut. Das Tauwasser fließt durch den Tauwasserablauf in den Verdunstungsbehälter an der Rückseite des Kühlgeräts und verdunstet dort.
- Trennen Sie das Kühlgerät unbedingt vom Stromnetz, bevor Sie den Verdunstungsbehälter reinigen.
- Lösen Sie zum Ausbauen des Verdunstungsbehälters die Schrauben wie angegeben. Reinigen Sie ihn in regelmäßigen Abständen mit Seifenwasser, um unangenehme Gerüche zu vermeiden.



### Austauschen der LED-Beleuchtung

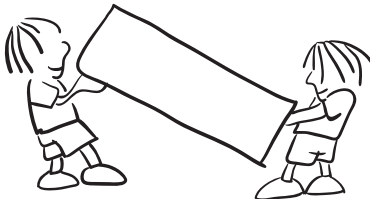


Wenden Sie sich an den Helpdesk, wenn das Kühlgerät über LED-Beleuchtung verfügt, da diese nur von zugelassenem Fachpersonal ausgetauscht werden darf.

## TEIL - 5. TRANSPORTIEREN UND UMSTELLEN

### Transportieren und Umstellen

- Die Originalverpackung und das Schaumstofffüllmaterial können für eventuelle spätere Transporte aufbewahrt werden (optional).
- Sichern Sie das Gerät mit einer stabilen Verpackung, Bändern oder starken Schnüren und halten Sie sich an die Transportanweisungen auf der Verpackung.
- Nehmen Sie zum Transportieren oder Umstellen alle beweglichen Teile heraus (Fachböden, Zubehör, Gemüseboxen usw.) oder fixieren Sie diese im Gerät zum Schutz gegen Erschütterungen.



**Transportieren Sie das Gerät immer aufrecht.**

### Wechseln des Türanschlags

- Wenn an der Vorderseite der Gerätetür Griffe montiert sind, kann die Öffnungsrichtung der Gerätetür nicht geändert werden.
- Bei Modellen ohne Griffe und Modellen mit seitlich angebrachten Griffen kann die Öffnungsrichtung der Tür geändert werden.
- Wenn an Ihrem Gerät der Türanschlag gewechselt werden kann, wenden Sie sich an den zuständigen Kundendienst. Dieser führt die entsprechenden Arbeiten aus.

## TEIL - 6. VOR DEM ANRUF BEIM KUNDENDIENST

### Fehler

Das Kühlgerät gibt Warnungen aus, wenn die Temperatur im Kühl- und Gefriereteil nicht dem erforderlichen Niveau entspricht oder wenn ein Problem am Gerät vorliegt. An der Gefrier- und Kühlstufenanzeige werden Warncodes eingeblendet.

Fehlertyp	Bedeutung	Ursache	Abhilfe
E01	Sensorwarnung		Verständigen Sie so schnell wie möglich den Kundendienst.
E02			
E03			
E06			
E07			
E08	Unterspannungswarnung	Die Stromversorgung des Gerätes ist auf unter 170 V gefallen.	<ul style="list-style-type: none"> <li>- Dies ist kein Gerätefehler. Dieser Fehler hilft dabei, Schäden am Kompressor zu verhindern.</li> <li>- Die Warnung verschwindet, sobald die Spannung wieder das erforderliche Niveau erreicht.</li> </ul> Falls diese Warnung weiterhin auftritt, muss ein autorisierter Techniker verständigt werden.

Fehlertyp	Bedeutung	Ursache	Abhilfe
E09	Der Gefrierbereich wird nicht kalt genug.	Tritt mit hoher Wahrscheinlichkeit nach einem langen Stromausfall auf.	<p>1. Stellen Sie die Tiefkühltemperatur auf einen geringeren Wert ein oder aktivieren Sie die Schnellgefrierfunktion. Dies sollte den Fehlercode beseitigen, sobald die erforderliche Temperatur erreicht ist. Halten Sie die Türen geschlossen, damit die richtige Temperatur schneller erreicht wird.</p> <p>2. Entfernen Sie Lebensmittel, die während dieses Fehler angetaut/aufgetaut sind. Diese sollten Sie in kurzer Zeit verzehren.</p> <p>3. Geben Sie erst nach Erreichen der richtigen Temperatur und Aufhebung des Fehlers wieder frische Lebensmittel in den Tiefkühlbereich.</p> <p>Falls diese Warnung weiterhin auftritt, muss ein autorisierter Techniker verständigt werden.</p>
E10	Der Kühlbereich wird nicht kalt genug.	<p><b>Tritt mit hoher Wahrscheinlichkeit auf, nachdem:</b></p> <ul style="list-style-type: none"> <li>- Längere Zeit der Strom ausgefallen ist.</li> <li>- Heiße Lebensmittel in den Kühlbereich gegeben wurden.</li> </ul>	<p>1. Stellen Sie die Kühltemperatur auf einen geringeren Wert ein oder aktivieren Sie die Schnellkühlfunktion. Dies sollte den Fehlercode beseitigen, sobald die erforderliche Temperatur erreicht ist. Halten Sie die Türen geschlossen, damit die richtige Temperatur schneller erreicht wird.</p> <p>2. Leeren Sie den Bereich vor den Luftkanalöffnungen und platzieren Sie keine Lebensmittel in die Nähe des Sensors.</p> <p>Falls diese Warnung weiterhin auftritt, muss ein autorisierter Techniker verständigt werden.</p>
E11	Der Kühlbereich ist zu kalt	Verschiedenes	<p>1. Prüfen Sie, ob der Schnellkühlmodus aktiviert ist.</p> <p>2. Reduzieren Sie die Kühlbereichstemperatur.</p> <p>3. Prüfen Sie, ob die Belüftungsöffnungen blockiert sind.</p> <p>Falls diese Warnung weiterhin auftritt, muss ein autorisierter Techniker verständigt werden.</p>

Wenn Probleme mit dem Kühlgerät auftreten, überprüfen Sie Folgendes, bevor Sie den Kundendienst verständigen.

### **Das Kühlgerät läuft nicht**

#### **Überprüfen Sie, ob...**

- das Kühlgerät eingesteckt und eingeschaltet ist
- die Sicherung durchgebrannt ist
- Ist die Temperatur-Einstellung auf der richtigen Ebene?
- an der Steckdose ein Fehler vorliegt. Stecken Sie zum Prüfen der Steckdose ein anderes funktionstüchtiges Gerät ein.

### **Die Kühlleistung des Geräts ist schlecht**

#### **Überprüfen Sie, ob...**

- das Gerät überladen ist
- Die Türen richtig geschlossen sind
- der Verflüssiger verstaubt ist
- zwischen Gerät und umgebenden Wänden ausreichend Abstand besteht

### **Das Kühlgerät ist laut**

Die folgenden Geräusche können im Normalbetrieb des Kühlgeräts auftreten.

#### **Krachen (brechendes Eis):**

- beim automatischen Abtauen
- wenn das Gerät kühler oder wärmer wird (aufgrund der Ausdehnung des Materials)

**Knacken:** wenn das Thermostat den Kompressor ein-/ausschaltet

**Motorgeräusche:** Ein Zeichen, dass der Kompressor normal läuft. Der Kompressor kann beim Anlaufen kurzfristig stärkere Geräusche machen.

**Blubbern und Platschen:** durch das Fließen des Kühlmittels in den Rohren des Systems

**Strömen von Wasser:** durch Wasser, das in den Verdunstungsbehälter fließt. Dieses Geräusch ist beim Abtauen völlig normal.

**Gebälse:** bei normalem Betrieb des Systems durch die Luftzirkulation

### **Feuchtigkeit im Innern des Kühlgeräts**

#### **Überprüfen Sie, ob...**

- alle Lebensmittel gut verpackt sind. Es dürfen nur trockene Behälter im Kühlgerät gelagert werden.
- die Türen des Kühlgeräts häufig geöffnet werden. Die Raumfeuchtigkeit gelangt bei jedem Öffnen der Tür auch in das Kühlgerät. Die Feuchtigkeit nimmt schneller zu, je häufiger die Türen geöffnet werden, vor allem bei hoher Luftfeuchtigkeit im Raum.

### **Die Türen schließen oder öffnen sich nicht richtig**

#### **Überprüfen Sie, ob...**

- Lebensmittel oder deren Verpackung das Schließen der Tür behindern
- die Türfächer, -ablagefächer und Schubladen richtig eingesetzt sind
- die Türdichtungen beschädigt oder verdreht sind
- das Kühlgerät waagrecht steht



## **Die Kanten des Kühlgeräts, die die Scharniere berühren, sind warm**



Die Flächen, die das Scharnier berühren, werden vor allem im Sommer (warmes Wetter) beim Betrieb des Kompressors wärmer. Das ist völlig normal.

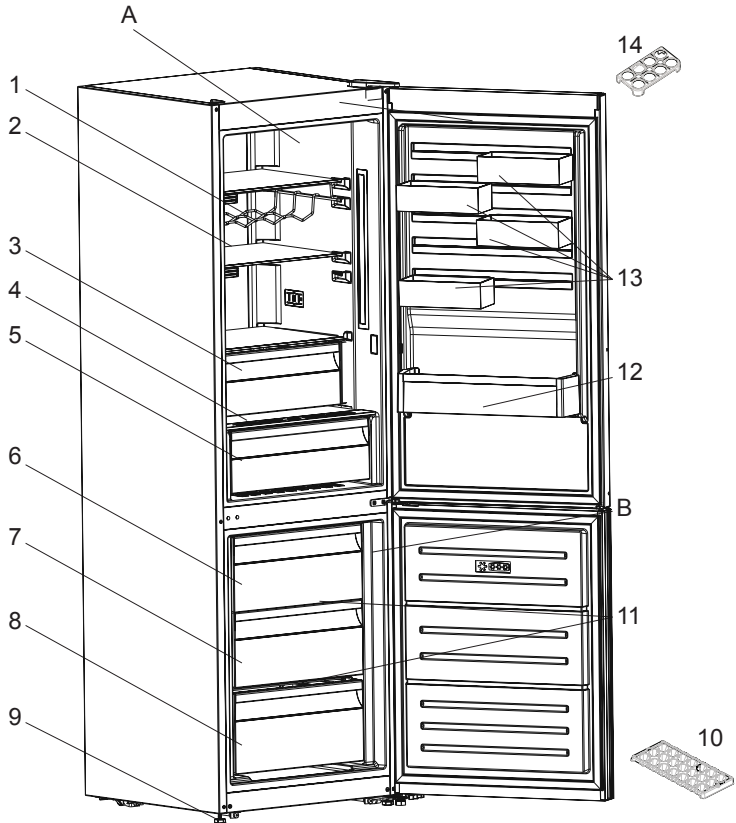
### **Empfehlungen**

- Eine Verzögerungsfunktion von 5 Minuten verhindert Schäden am Kompressor des Kühlgeräts, wenn das Gerät an das Netz angeschlossen bzw. vom Netz getrennt wird oder die Stromversorgung ausfällt. Nach 5 Minuten nimmt das Kühlgerät den Normalbetrieb auf.
- Wenn das Gerät für einen längere Zeit nicht genutzt wird, (z. B. im Urlaub), ziehen Sie den Stecker ab. Tauen Sie das Gerät ab und reinigen Sie es und lassen Sie die Tür offen, damit sich kein Schimmel und keine Gerüche entwickeln.
- Wenn ein Problem weiterhin besteht, nachdem Sie die zuvor genannten Anleitungen befolgt haben, wenden Sie sich an den zuständigen Kundendienst.
- Das Gerät ist nur zur Nutzung im Haushalt ausgelegt. Es ist nicht für gewerbliche oder öffentliche Zwecke ausgelegt. Wenn Sie das Gerät zu anderen als den genannten Zwecken verwenden, übernehmen weder Hersteller noch Händler Verantwortung für eventuelle Reparaturen oder Störungen während der Garantiezeit.
- Sollten Sie einen Service benötigen, halten Sie bitte die Seriennummer Ihres Gerätes bereit. Die Seriennummer befindet sich auf dem Typenschild. Dieses finden Sie im Kühlbereich auf der linken unteren Seite.

## Tipps zum Energiesparen

1. Stellen Sie das Gerät in einem kühlen, gut belüfteten Raum auf und setzen Sie es keiner direkten Sonneneinstrahlung und keiner Wärmequelle (z. B. Heizung oder Ofen) aus. Gegebenenfalls ist eine Isolierplatte zu verwenden.
2. Lassen Sie warme Speisen und Getränke erst abkühlen, bevor Sie sie im Kühlgerät aufbewahren.
3. Legen Sie auftauende Lebensmittel in das Kühlteil. Das Gefriergut kühlt das Kühlteil, wobei es gleichzeitig aufgetaut wird. So sparen Sie Energie. Gefrorene Lebensmittel außerhalb des Geräts aufzutauen ist Energieverschwendung.
4. Getränke und andere im Gerät aufbewahrte Flüssigkeiten müssen abgedeckt werden. Nicht abgedeckte Flüssigkeiten erhöhen die Feuchtigkeit im Gerät, was wiederum zu einem höheren Energieverbrauch führt. Durch das Abdecken behalten Getränke und andere Flüssigkeiten ihren Geruch und Geschmack.
5. Öffnen Sie die Türen nicht zu lange und zu häufig, da dadurch warme Luft in das Gerät gelangt, was dazu führt, dass der Kompressor unnötig oft anspringt.
6. Halten Sie die Abdeckungen der verschiedenen Kühlteile (z. B. Gemüsefach und 0 °C-Fach) geschlossen.
7. Die Türdichtung muss sauber und geschmeidig sein. Bei Verschleiß müssen Sie die Dichtung wechseln, sofern sie abnehmbar ist. Falls sie nicht abnehmbar ist, ersetzen Sie die Tür.
8. Die Funktion Öko-Modus bzw. die Standardeinstellung konserviert frische und gefrorene Lebensmittel und spart gleichzeitig Energie.
9. Fach für frische Lebensmittel (Kühlschrank): Die effizienteste Nutzung der Energie wird in der Konfiguration mit den Schubladen im unteren Teil des Geräts und gleichmäßig verteilten Regalen gewährleistet. Die Positionen der Türfächer haben keinen Einfluss auf den Energieverbrauch.
10. Gefrierfach (Gefrierschrank): Das Gerät wird mit der energietechnisch günstigsten Einrichtung des Gefrierbereichs geliefert.
11. Entfernen Sie die Kältespeicher nicht aus dem Gefrierkorb (falls vorhanden).

## TEIL - 7. GERÄTEBESCHREIBUNG



Die Abbildung stellt eine Übersicht über die Zubehörteile des Geräts dar. Die Zubehörteile sind je nach Modell unterschiedlich.

A) Kühlteil

B) Gefrierteil

1) Weinregal \*

2) Kühlfachablage

3) Extra-Kühlfach (0°C- Fach) \*

4) Gemüsefachabdeckplatte

5) Gemüsefach

6) Obere Gefrierfachschublade

7) Mittlere Gefrierfachschublade

8) Untere Gefrierfachschublade

9) Verstellbare Füße

10) Eiswürfelschale

11) Glaseinschub \*

12) Flaschenablage

13) CustomFlex

14) Eierhalter

\* bei bestimmten Modellen

## **TEIL - 8. TECHNISCHE DATEN**

Die technischen Informationen befinden sich auf dem Typenschild auf der Innenseite des Gerätes sowie auf dem Energieetikett.

Der QR-Code auf dem mit dem Gerät gelieferten Energieetikett enthält einen Weblink zu den Informationen über die Leistung des Geräts in der EU EPREL-Datenbank.

Bewahren Sie dieses Energieetikett zur jederzeitigen Einsicht zusammen mit dem Benutzerhandbuch und allen anderen mit diesem Gerät gelieferten Dokumenten auf.

Dieselben Informationen finden Sie auch bei EPREL über den Link <https://eprel.ec.europa.eu>, indem Sie dort den Modellnamen und die Produktnummer vom Typenschild des Geräts eingeben.

Ausführliche Informationen über das Energieetikett finden Sie unter dem Link [www.theenergylabel.eu](http://www.theenergylabel.eu).

## **TEIL - 9. INFORMATIONEN FÜR PRÜFINSTITUTE**

Installation und Vorbereitung des Geräts für eine eventuelle Ökodesign-Prüfung müssen in Übereinstimmung mit EN 62552 erfolgen. Dazu müssen die Belüftungsanforderungen, Aussparungsabmessungen und Mindestabstände auf der Rückseite den Angaben in Teil 1 dieses Benutzerhandbuchs entsprechen. Bitte wenden Sie sich für weitere Informationen, einschließlich der Ladepläne, an den Hersteller.







[www.aeg.com/shop](http://www.aeg.com/shop)



CE